



# DVG AUTOMATION

the excellence in flow control automation

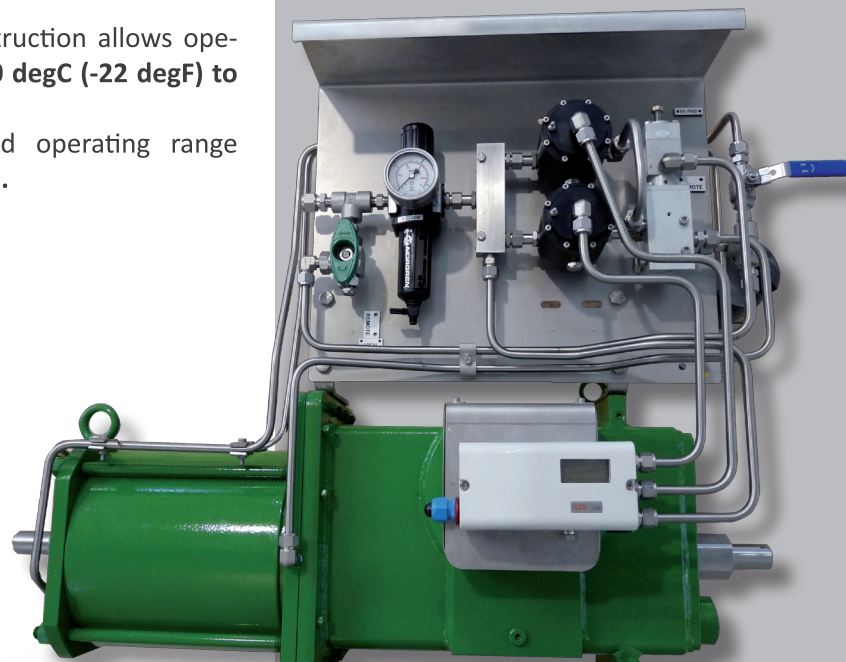
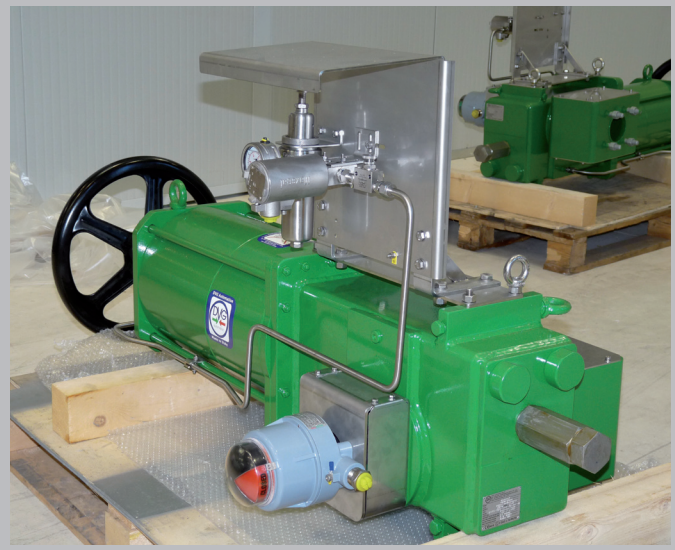
**"BY" SERIES**  
Pneumatic ACTUATORS

# INTRODUCTION

The DVG Automation newly designed “BY” Series incorporates several new design features to provide higher efficiency and cost effective solution. These actuators shows lightweight and compact design but above all introduce a new generation of patented mechanism which minimizes wearing effect on all loaded & sliding parts, thus extending overall lifespan.

These features boost BY Series for all modulating as well as heavy-duty services virtually fitting any quarter turn (90 deg) application.

Construction and design make this product ideal for FPSO vessel, skid manufacturers and wherever space constraint and overall weight issues may arise.



# OPERATING RANGE

Three off actuator center-body size available.

The DVG Automation double-acting BY Series are available with individual test and guaranteed minimum output torque ranging from **40 Nm (350 lb-in) to 7,500 Nm (66,375 lb-in).**

Our single acting BY series requires pressure in only one stroking direction and they are available both for fail clockwise and counterclockwise application by simply reversing actuator mounting plane. These models produce spring ending torque ranging from **31 Nm (275 lb-in) to 2080 Nm (21,080 lb-in).**

The Pneumatic operating pressure for the BY Series ranges between **2 barg (30 psig) and 12 barg (175 psig).**

Their standard design construction allows operating temperature from **-30 degC (-22 degF) to +93 degC (+199 degF).**

Low Temperature extended operating range down to **-60 degC (-76 degF).**

# KEY DESIGN FEATURES & ADVANTAGES

## **Bar Yoke:**

Patented Mechanism which zeroes mechanical clearances between cylinder piston rod and driving module.

## **Mechanism Guide System:**

Patented Dual Guide Bar hard chromium plated to minimize/zeroing driving block swing extending piston rod lifespan under heavy load &/or continuous modulating duty.

## **Symmetric or canted yoke:**

BY Series is available with either symmetric or canted yoke design depending on valve torque profile demand.

## **Swept Volume:**

Reduced air consumption with higher efficiency

## **Water ingress protection:**

totally enclosed and weather-proof actuator center-body is engineered to meet IP66, IP67 IP67M and NEMA 4 & 4X specifications for submerged and high pressure water deluge application.

## **Materials:**

Cylinder Tube & all structural parts are manufactured in carbon steel material:

no cast/grey iron or aluminum parts are present.

All pressure containing part are supplied with 3.1 certificate according to EN10204. DVG guarantees, where applicable, that actuators are designed and manufactured according to PED (97/23 CE) directive. Cylinder tube is internally nickel-plated lined (minimum 25µm). Nickel-plating layer can be increased upon request.

## **Seal:**

floating type piston seal prevents sticking phenomena after prolonged operation-less period and ensures reduced hysteresis and high sensitivity

## **Bearing:**

dual piston PTFE sliding guide. Yoke arm & shaft are mounted with steel bronze Teflon coated bushing to minimize wearing effect and show higher sensitivity.



## **Output shaft:**

symmetric squared output shaft nickel-plated for corrosion resistance and reduced friction.

## **Labeling:**

AISI 316 Stainless steel embossed name plate ensures long last information preservation guaranteeing lifetime traceability.

## **Travel stops:**

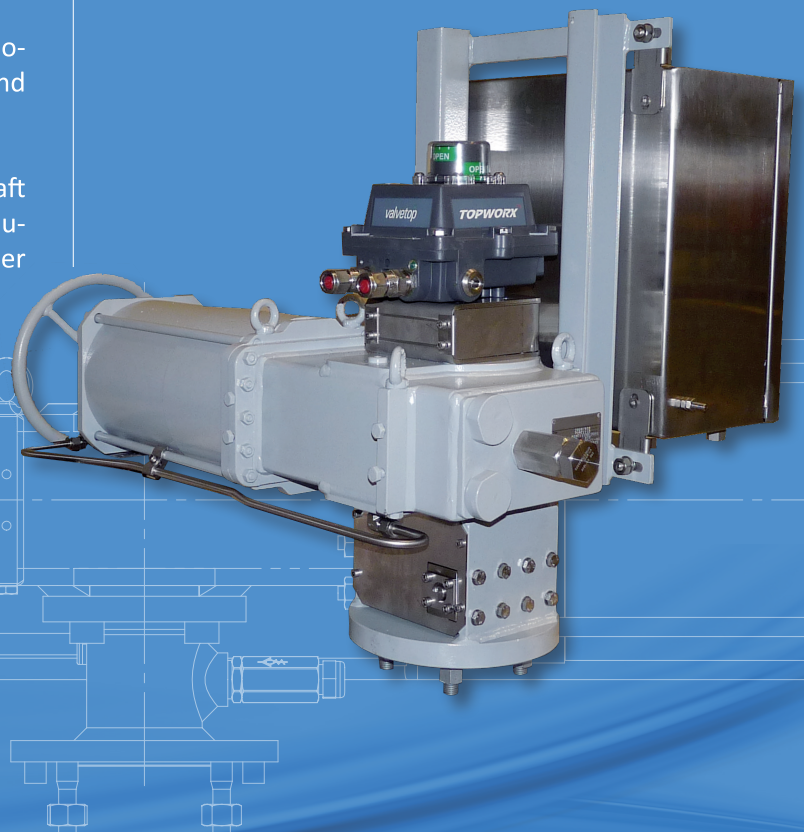
External travel stops with protective cap ensure precise angular stroke adjustment up to -5deg/+5deg at each end.

## CONTROL SYSTEM

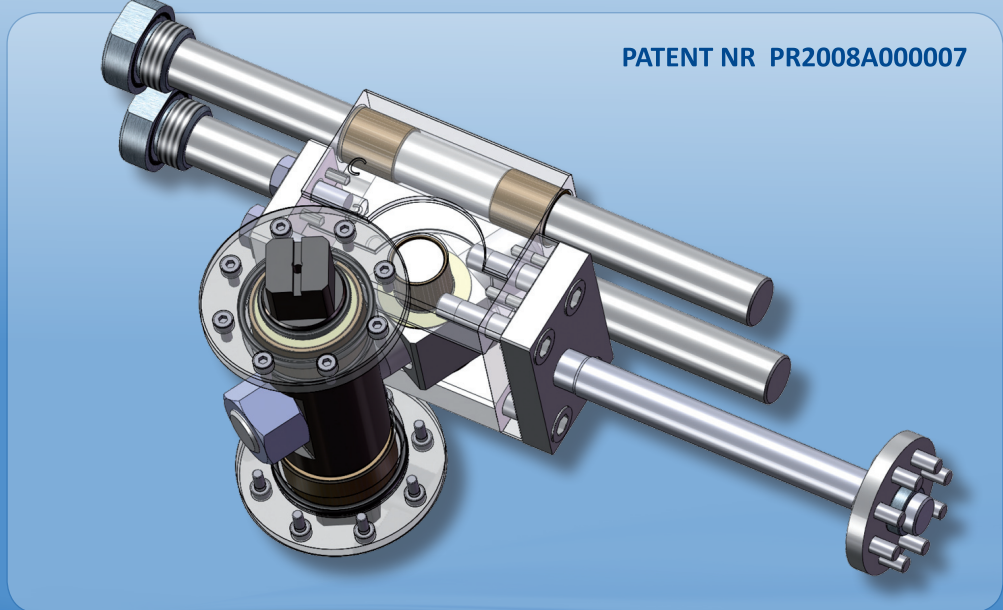
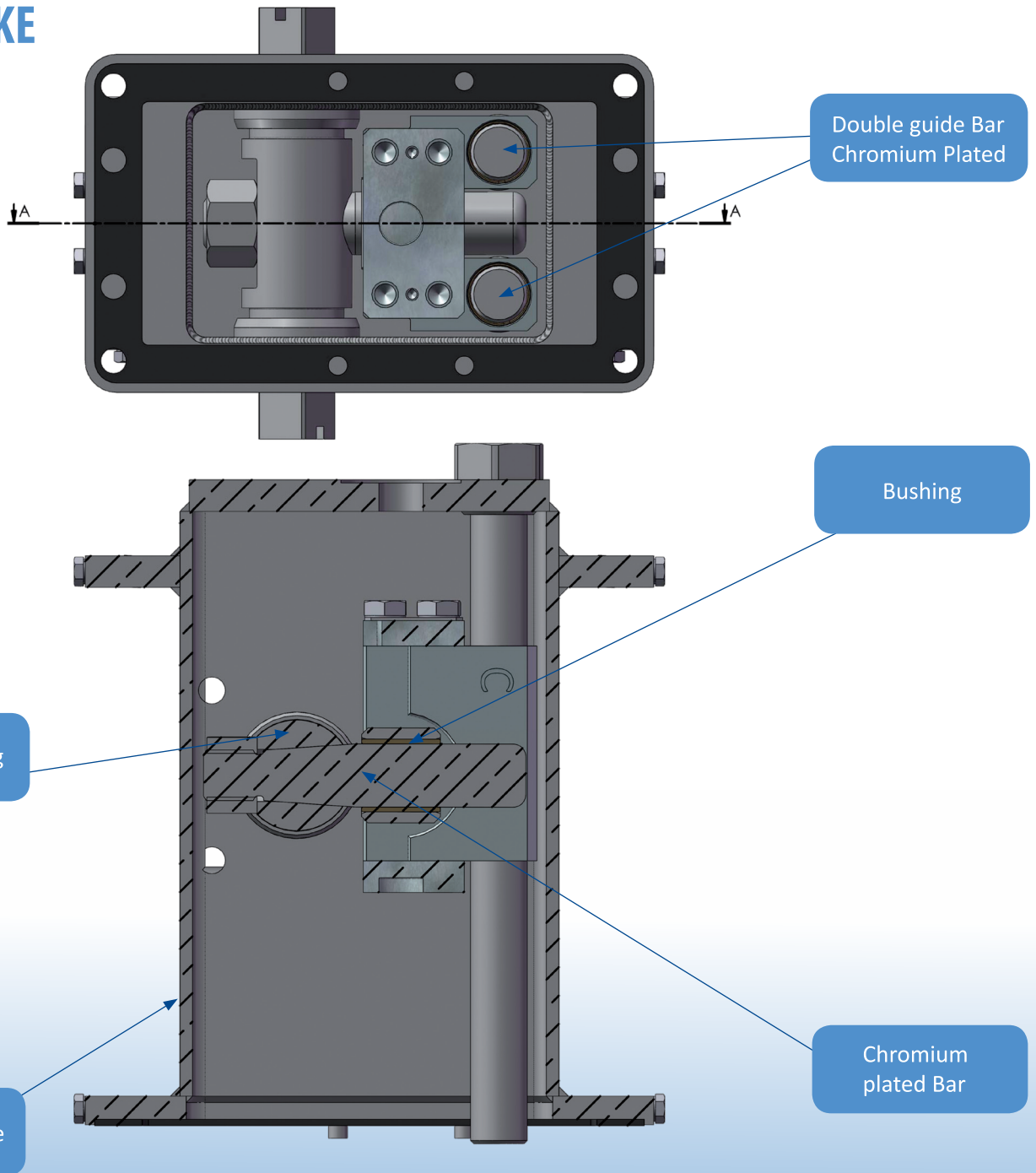
**Actuator Control Systems** are integral part of any automated valve package. Our BY Series actuators can be equipped with extensive range of auxiliary components specifically engineered and integrated to meet the largest variety of Customers' requests either for ON/OFF or modulating. Our Control System can be housed within cabinet &/or stainless steel (AISI316) panel folded over to provide sun-shade, and assembled on actuator or at remote location

## **Position Monitor Device:**

Virtually all positioning monitor devices can be assembled on top of our BY Series actuators, responding to any kind of technical requirement.

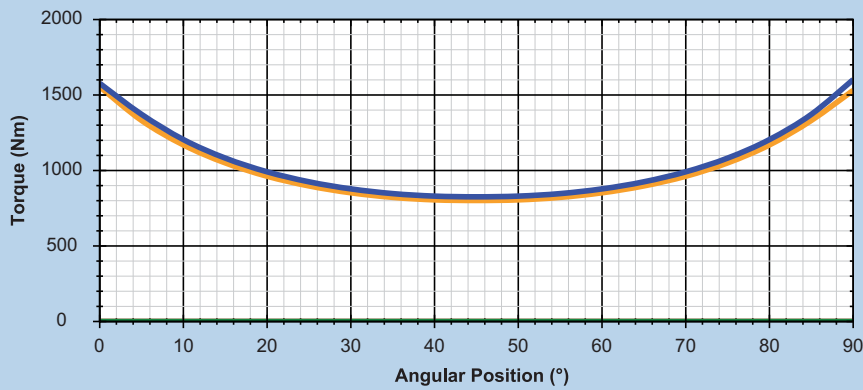


# BAR YOKE



# BY SERIES double acting torque

**BYP-50S-175**



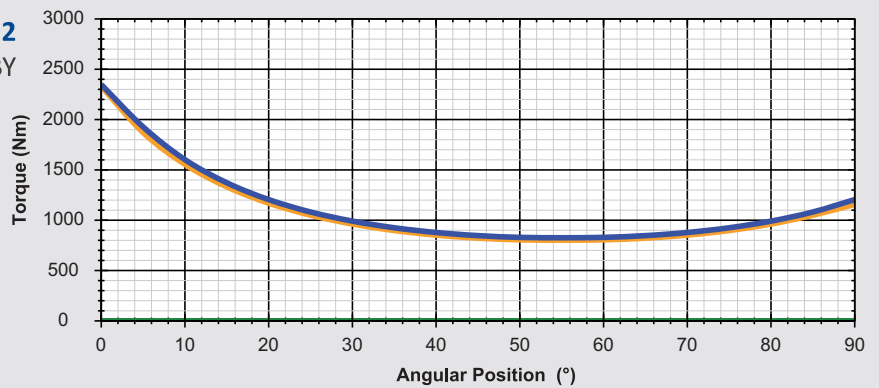
**FIGURE 1**

Torque for symmetric double acting BY

**BYP-50C-175**

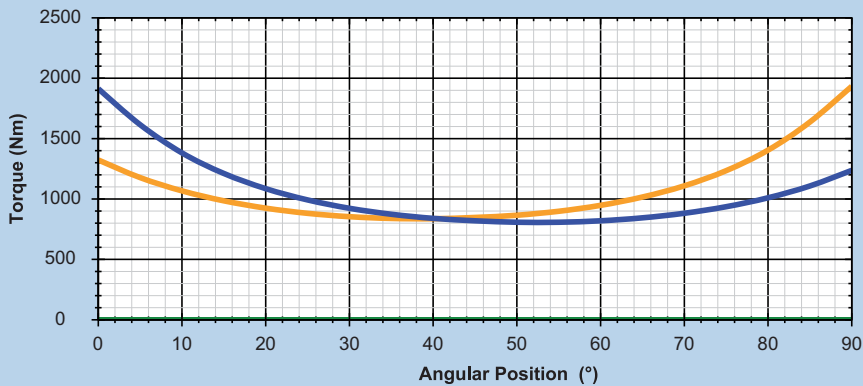
**FIGURE 2**

Torque for canted double acting BY



# BY SERIES single acting torque

**BYPS-50S-255-3C-CL**



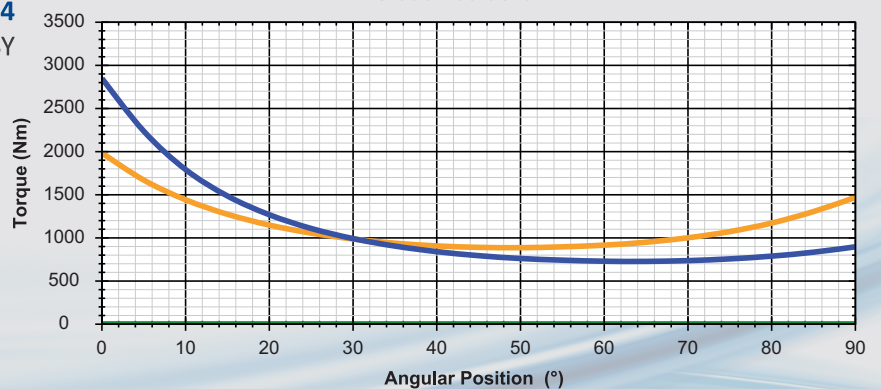
**FIGURE 3**

Torque for symmetric single acting BY

**BYPS-50C-255-3C-CL**

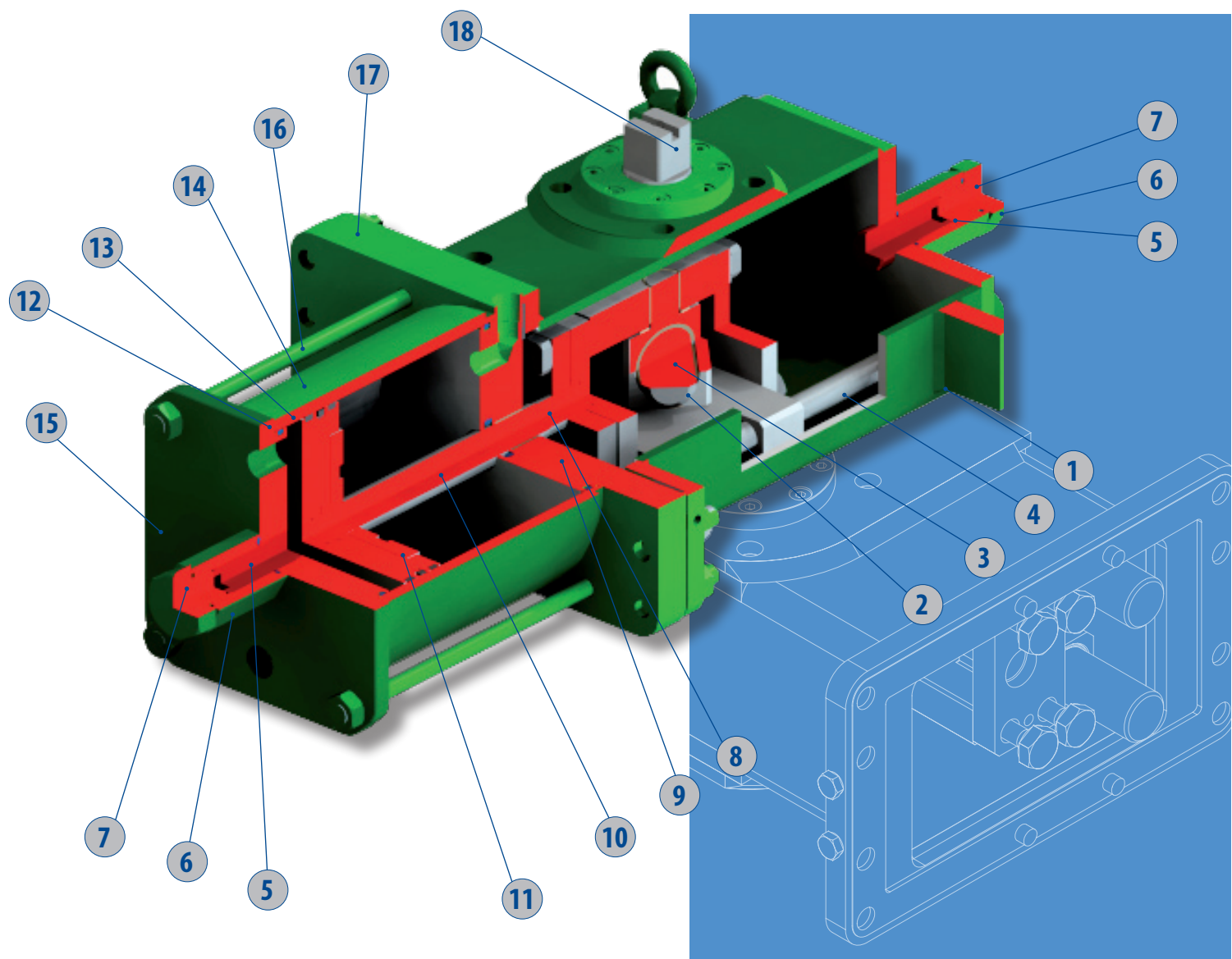
**FIGURE 4**

Torque for canted single acting BY



# BY SERIES

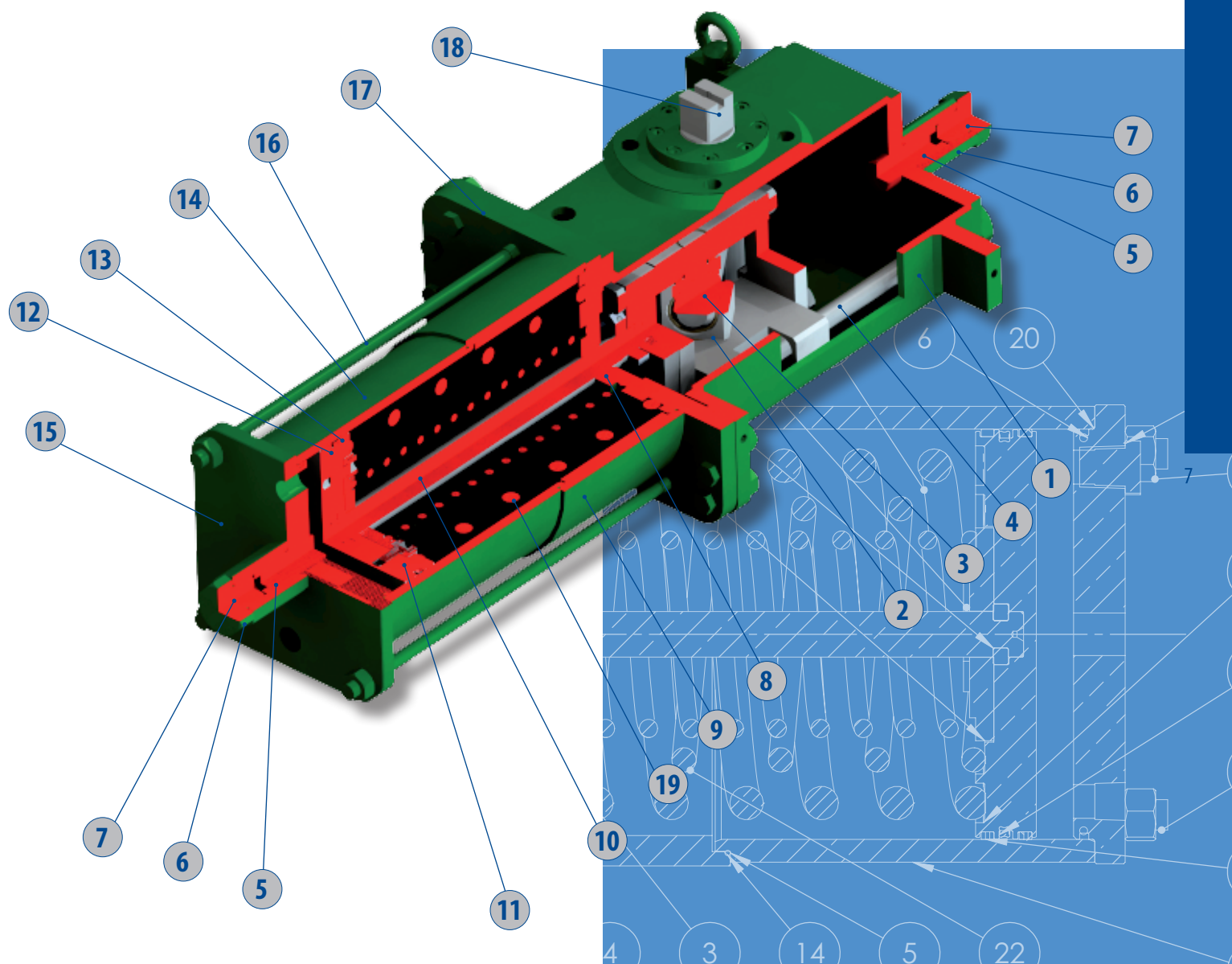
## DOUBLE ACTING SECTIONAL DRAWING



ITEM	DESCRIPTION	EN MATERIAL	ASTM MATERIAL
1	Housing	S355 J2 H EN 10210	ASTM A500 Grade C
2	Bar Yoke	42CrMo4 EN 10083	AISI (4140)
3	Yoke Bushing	Carbon steel + Bronze + PTFE	Carbon steel + Bronze + PTFE
4	Guide bar	42CrMo4 EN 10083	AISI (4140)
5	Travel stop screw	Class 45H ISO 4026	Class 45H ISO 4026
6	Stop screw protection	X5 CrNi 18 10	ASTM A276/276MTP304
7	Plug	X5 CrNi 18 10	ASTM A276/276MTP304
8	Piston rod bushing	Carbon steel + Bronze + PTFE	Carbon steel + Bronze + PTFE
9	Piston rod seal	NBR (FKM – MFQ – CR)	NBR (FKM – MFQ – CR)
10	Piston rod	42CrMo4 EN 10083	AISI (4140)
11	Piston	S355 J2G3 EN 10025	ASTM A570 Grade 50
12	Piston seal	NBR (FKM – MFQ – CR)	NBR (FKM – MFQ – CR)
13	Piston sliding guide	PTFE - Graphite	PTFE - Graphite
14	Cylinder tube	E355 EN 10297 - 10305	ASTM A500 Grade C
15	Cylinder End flange	S355 J2G3 EN 10025	ASTM A570 Grade 50
16	Tie rod	ASTM A320L7	ASTM A320L7
17	Cylinder Head flange	S355 J2G3 EN 10025	ASTM A570 Grade 50
18	Stem	42CrMo4 EN 10083	AISI (4140)

# BY SERIES

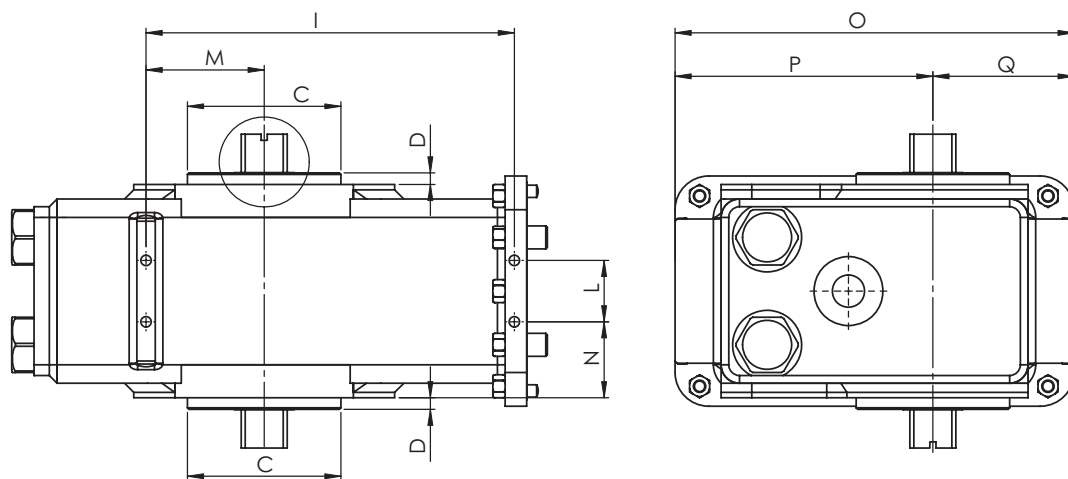
## SINGLE ACTING SECTIONAL DRAWING



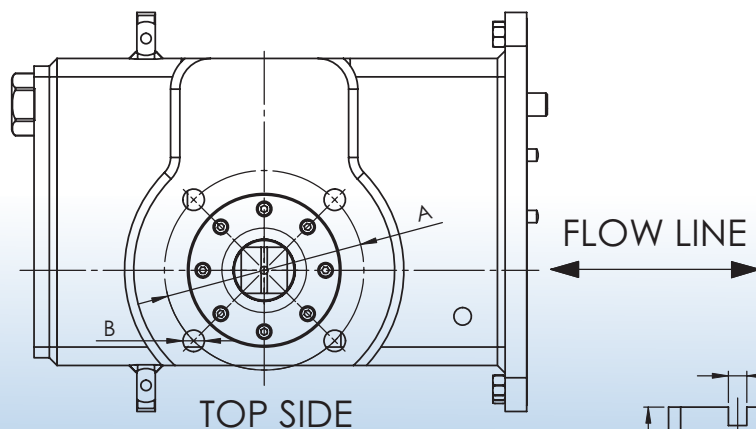
ITEM	DESCRIPTION	EN MATERIAL	ASTM MATERIAL
1	Housing	S355 J2 H EN 10210	ASTM A500 Grade C
2	Bar Yoke	42CrMo4 EN 10083	AISI (4140)
3	Yoke Bushing	Carbon steel + Bronze + PTFE	Carbon steel + Bronze + PTFE
4	Guide bar	42CrMo4 EN 10083	AISI (4140)
5	Travel stop screw	Class 45H ISO 4026	Class 45H ISO 4026
6	Stop screw protection	X5 CrNi 18 10	ASTM A276/276MTP304
7	Plug	X5 CrNi 18 10	ASTM A276/276MTP304
8	Piston rod bushing	Carbon steel + Bronze + PTFE	Carbon steel + Bronze + PTFE
9	Tubular spacer	E355 EN 10297 - 10305	ASTM A500 Grade C
10	Piston rod	42CrMo4 EN 10083	AISI (4140)
11	Piston	S355 J2G3 EN 10025	ASTM A570 Grade 50
12	Piston seal	NBR (FKM – MFQ – CR)	NBR (FKM – MFQ – CR)
13	Piston sliding guide	PTFE - Graphite	PTFE - Graphite
14	Cylinder tube	E355 K2+N EN 10297 - 10305	ASTM A500 Grade C
15	Cylinder End flange	S355 J2G3 EN 10025	ASTM A570 Grade 50
16	Tie rod	ASTM A320L7	ASTM A320L7
17	Cylinder Head flange	S355 J2G3 EN 10025	ASTM A570 Grade 50
18	Stem	42CrMo4 EN 10083	AISI (4140)
19	Spring	EN-10270-2-FDSiCr	ASTM A-401

# HOUSING MOUNTING HOLES AND INTERFACE

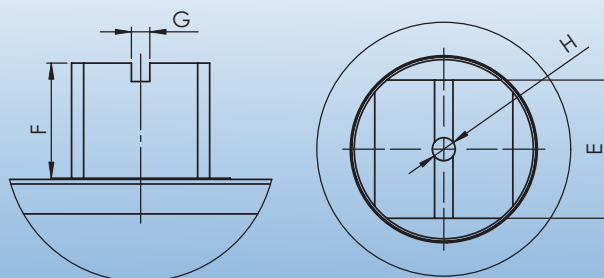
FRONT SIDE



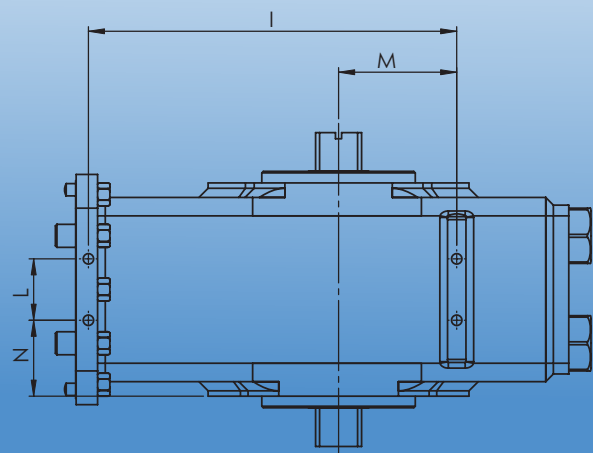
TOP SIDE



NAMUR INTERFACE



BACK SIDE

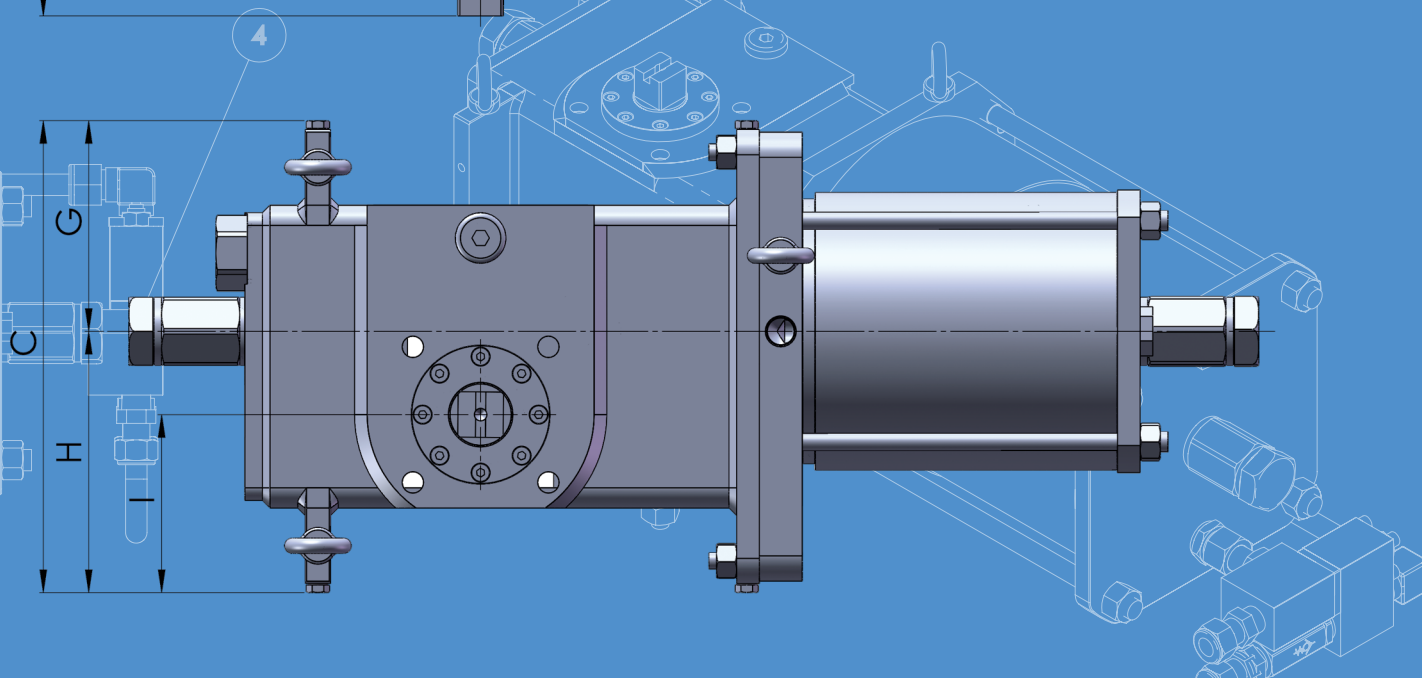
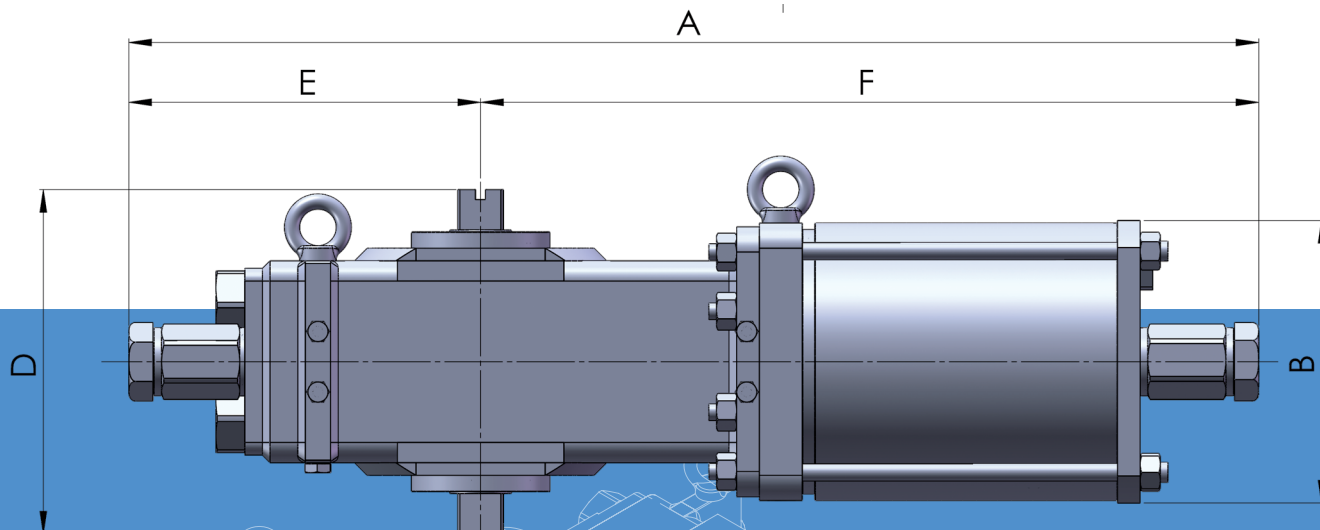


8

model size	A	B	C	D	E	F	G	H	I	L	M	N	O	P	Q
5	76	N4 M10	55	6.5	18	16	4	M6	170	24	64.5	33	180	113	67
20	130	N4 M16	100	7.5	30	25	4	M6	240	40	77	50,5	260	168	92
50	165	N4 M20	129	10	45	45	4	M6	360	85	124.5	60,5	345	228	117



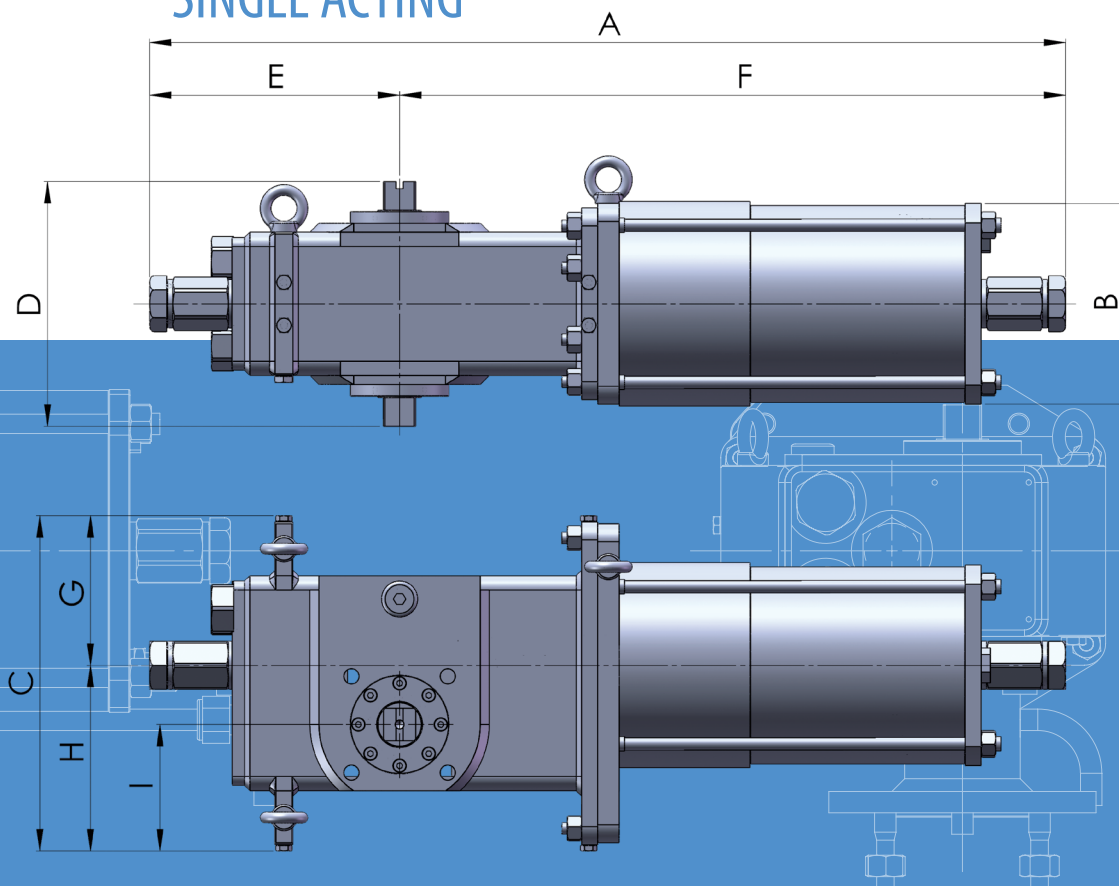
# OVERALL DIMENSIONS DOUBLE ACTING



Model Size	A	B	C	D	E	F	G	H	I	Weight(Kg)
BYP-05S/C-55	452	92	187	136	140	312	83	104	71	13
BYP-05S/C-75	449	98	187	136	140	309	83	104	71	15
BYP-05S/C-100	448	112	187	136	140	308	83	104	71	16
BYP-05S/C-135	449	151	187	136	140	309	83	104	71	22
BYP-05S/C-150	477	171	187	136	140	337	83	104	71	25
BYP-20S/C-100	682	145	271	210	225	457	119	152	97	45
BYP-20S/C-125	685	148	271	210	225	460	119	152	97	47
BYP-20S/C-135	686	151	271	210	225	461	119	152	97	49
BYP-20S/C-150	690	171	271	210	225	465	119	152	97	52
BYP-20S/C-175	692	195	271	210	225	467	119	152	97	57
BYP-20S/C-200	732	222	271	210	262	470	119	152	97	67
BYP-20S/C-235	784	255	271	210	262	522	119	152	97	77
BYP-50S/C-175	938	195	358	317	331	607	158	200	123	121
BYP-50S/C-200	949	222	358	317	331	618	158	200	123	132
BYP-50S/C-235	996	255	358	317	331	665	158	200	123	140
BYP-50S/C-255	997	275	358	317	331	666	158	200	123	146
BYP-50S/C-280	1000	300	358	317	331	669	158	200	123	154
BYP-50S/C-300	1003	330	358	317	331	672	158	200	123	173

# OVERALL DIMENSIONS

## SINGLE ACTING



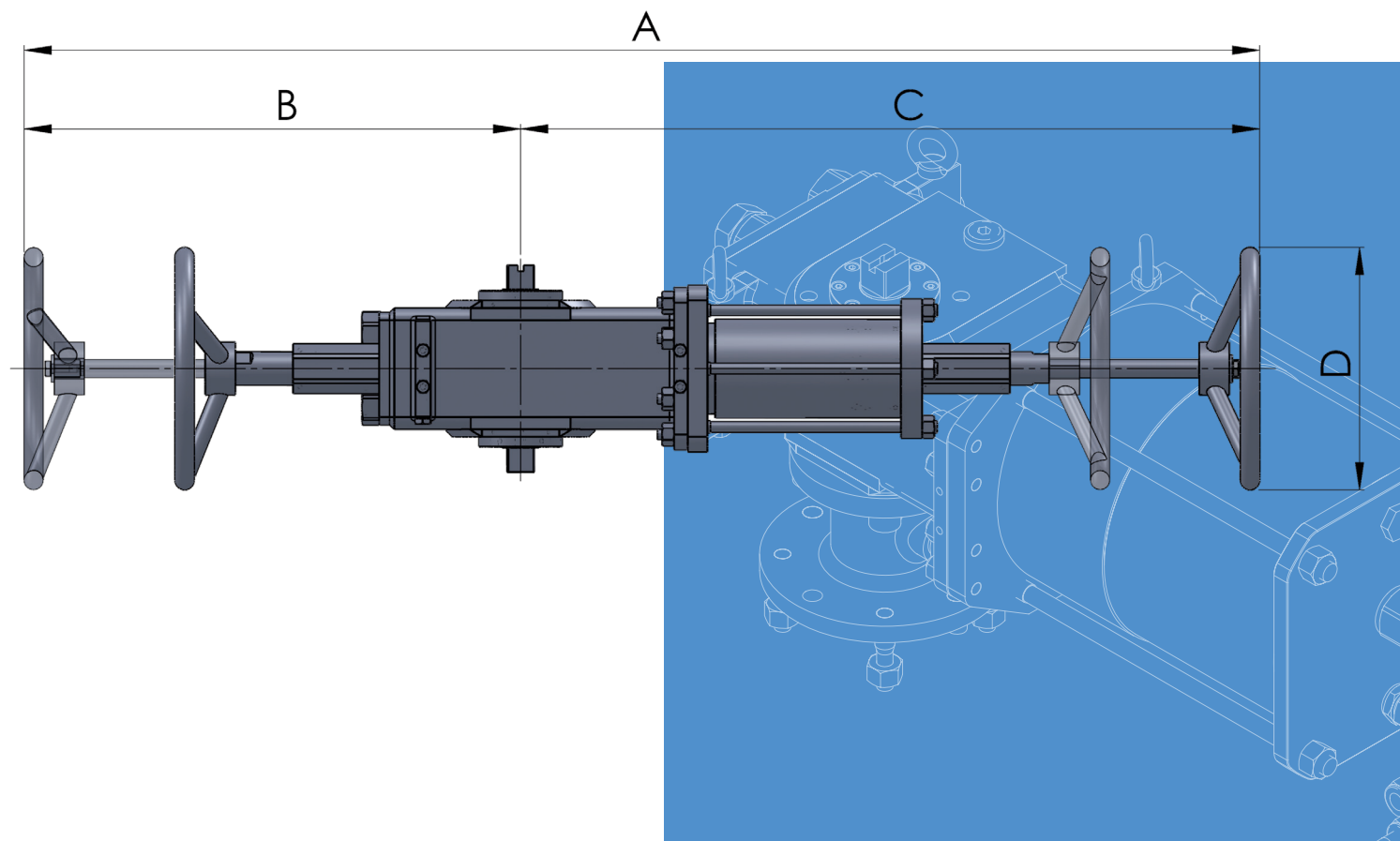
Model Size	A	B	C	D	E	F	G	H	I	Weight(Kg)
BYPS-05S/C-55-1A	517	92	187	136	140	378	83	104	71	13
BYPS-05S/C-75-1A	513	98	187	136	140	374	83	104	71	15
BYPS-05S/C-75-1B	513	98	187	136	140	374	83	104	71	15
BYPS-05S/C-100-1A	511	112	187	136	140	372	83	104	71	17
BYPS-05S/C-100-1B	511	112	187	136	140	372	83	104	71	17
BYPS-05S/C-100-1C	511	112	187	136	140	372	83	104	71	17
BYPS-05S/C-100-1D	511	112	187	136	140	372	83	104	71	18
BYPS-05S/C-100-1E	511	112	187	136	140	372	83	104	71	18
BYPS-05S/C-100-1F	511	112	187	136	140	372	83	104	71	17
BYPS-05S/C-135-1A	513	151	187	136	140	374	83	104	71	23
BYPS-05S/C-135-1B	513	151	187	136	140	374	83	104	71	23
BYPS-05S/C-135-1C	513	151	187	136	140	374	83	104	71	23
BYPS-05S/C-135-1D	513	151	187	136	140	374	83	104	71	23
BYPS-05S/C-135-1E	513	151	187	136	140	374	83	104	71	24
BYPS-05S/C-135-1F	513	151	187	136	140	374	83	104	71	23
BYPS-05S/C-135-1G	513	151	187	136	140	374	83	104	71	23
BYPS-05S/C-150-1A	543	171	187	136	140	404	83	104	71	27
BYPS-05S/C-150-1B	543	171	187	136	140	404	83	104	71	27
BYPS-05S/C-150-1C	543	171	187	136	140	404	83	104	71	27
BYPS-05S/C-150-1D	543	171	187	136	140	404	83	104	71	27
BYPS-05S/C-150-1E	543	171	187	136	140	404	83	104	71	27
BYPS-05S/C-150-1F	543	171	187	136	140	404	83	104	71	27
BYPS-05S/C-150-1G	543	171	187	136	140	404	83	104	71	27
BYPS-05S/C-150-1H	543	171	187	136	140	404	83	104	71	28
BYPS-05S/C-150-1L	543	171	187	136	140	404	83	104	71	28
BYPS-20S/C-100-2A	792	144	271	210	225	567	119	152	97	47
BYPS-20S/C-125-2A	818	151	271	210	225	593	119	152	97	52

# OVERALL DIMENSIONS SINGLE ACTING

Model Size	A	B	C	D	E	F	G	H	I	Weight(Kg)
BYPS-20S/C-125-2M	818	151	271	210	225	593	119	152	97	52
BYPS-20S/C-125-2N	818	151	271	210	225	593	119	152	97	52
BYPS-20S/C-135-2A	818	151	271	210	225	593	119	152	97	54
BYPS-20S/C-135-2B	818	151	271	210	225	593	119	152	97	56
BYPS-20S/C-135-2H	818	151	271	210	225	593	119	152	97	56
BYPS-20S/C-150-2A	823	171	271	210	225	598	119	152	97	60
BYPS-20S/C-150-2B	823	171	271	210	225	598	119	152	97	60
BYPS-20S/C-150-2G	823	171	271	210	225	598	119	152	97	61
BYPS-20S/C-150-2H	823	171	271	210	225	598	119	152	97	62
BYPS-20S/C-175-2A	824	195	271	210	225	599	119	152	97	63
BYPS-20S/C-175-2B	824	195	271	210	225	599	119	152	97	64
BYPS-20S/C-175-2C	824	195	271	210	225	599	119	152	97	65
BYPS-20S/C-175-2D	824	195	271	210	225	599	119	152	97	66
BYPS-20S/C-175-2E	824	195	271	210	225	599	119	152	97	67
BYPS-20S/C-175-2F	824	195	271	210	225	599	119	152	97	68
BYPS-20S/C-175-2G	824	195	271	210	225	599	119	152	97	68
BYPS-20S/C-175-2H	824	195	271	210	225	599	119	152	97	68
BYPS-20S/C-200-2A	825	222	271	210	225	600	119	152	97	74
BYPS-20S/C-200-2B	825	222	271	210	225	600	119	152	97	75
BYPS-20S/C-200-2C	825	222	271	210	225	600	119	152	97	77
BYPS-20S/C-200-2D	825	222	271	210	225	600	119	152	97	78
BYPS-20S/C-200-2E	825	222	271	210	225	600	119	152	97	79
BYPS-20S/C-200-2F	825	222	271	210	225	600	119	152	97	80
BYPS-20S/C-235-2B	831	255	271	210	225	606	119	152	97	86
BYPS-20S/C-235-2C	831	255	271	210	225	606	119	152	97	88
BYPS-20S/C-235-2D	831	255	271	210	225	606	119	152	97	89
BYPS-20S/C-235-2E	831	255	271	210	225	606	119	152	97	90
BYPS-20S/C-235-2F	831	255	271	210	225	606	119	152	97	90
BYPS-20S/C-235-2L	831	255	271	210	225	606	119	152	97	90
BYPS-50S/C-175-3E	1150	255	358	317	331	819	158	200	123	150
BYPS-50S/C-200-3A	1150	255	358	317	331	819	158	200	123	158
BYPS-50S/C-200-3B	1150	255	358	317	331	819	158	200	123	158
BYPS-50S/C-200-3C	1150	255	358	317	331	819	158	200	123	159
BYPS-50S/C-200-3D	1150	255	358	317	331	819	158	200	123	159
BYPS-50S/C-235-3A	1166	255	358	317	331	836	158	200	123	163
BYPS-50S/C-235-3B	1166	255	358	317	331	836	158	200	123	168
BYPS-50S/C-235-3C	1166	255	358	317	331	836	158	200	123	164
BYPS-50S/C-235-3D	1166	255	358	317	331	836	158	200	123	168
BYPS-50S/C-255-3A	1167	275	358	317	331	837	158	200	123	173
BYPS-50S/C-255-3B	1167	275	358	317	331	837	158	200	123	177
BYPS-50S/C-255-3C	1167	275	358	317	331	837	158	200	123	172
BYPS-50S/C-255-3D	1167	275	358	317	331	837	158	200	123	177
BYPS-50S/C-280-3A	1170	300	358	317	331	840	158	200	123	178
BYPS-50S/C-280-3B	1170	300	358	317	331	840	158	200	123	182
BYPS-50S/C-280-3C	1170	300	358	317	331	840	158	200	123	180
BYPS-50S/C-280-3D	1170	300	358	317	331	840	158	200	123	184
BYPS-50S/C-300-3A	1173	330	358	317	332	841	158	200	123	202
BYPS-50S/C-300-3B	1173	330	358	317	332	841	158	200	123	206
BYPS-50S/C-300-3C	1173	330	358	317	332	841	158	200	123	202
BYPS-50S/C-300-3D	1173	330	358	317	332	841	158	200	123	207

# OVERALL DIMENSIONS

## DOUBLE ACTING WITH MANUAL OVERRIDE

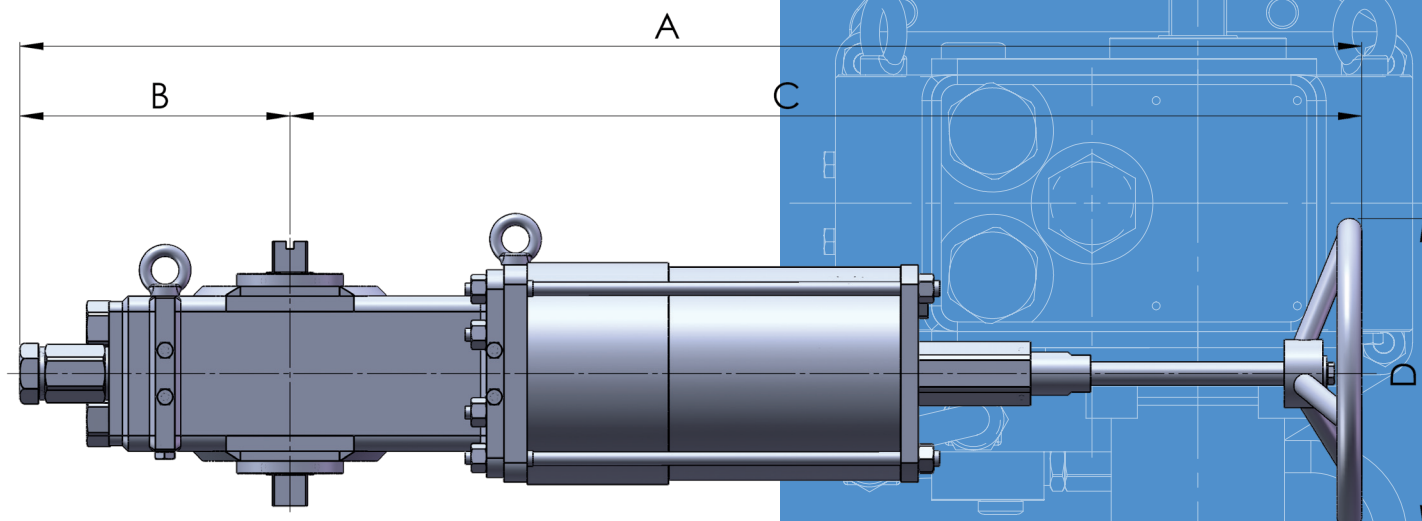


12

Model Size	A	B	C	D	Weight(Kg)
BYP-05S/C-55-MO	818	328	490	160	15
BYP-05S/C-75-MO	818	328	490	160	17
BYP-05S/C-100-MO	823	332	491	160	18
BYP-05S/C-135-MO	831	328	503	160	23
BYP-05S/C-150-MO	832	330	502	160	25
BYP-20S/C-100-MO	1098	427	671	250	47
BYP-20S/C-125-MO	1093	414	679	250	53
BYP-20S/C-135-MO	1093	414	679	250	53
BYP-20S/C-150-MO	1091	420	671	250	57
BYP-20S/C-175-MO	1090	427	663	250	60
BYP-20S/C-200-MO	1096	414	682	250	69
BYP-20S/C-235-MO	1090	427	663	250	78
BYP-50S/C-175-MO	1554	628	926	400	127
BYP-50S/C-200-MO	1566	644	922	400	137
BYP-50S/C-235-MO	1576	634	942	500	145
BYP-50S/C-255-MO	1529	579	950	500	151
BYP-50S/C-280-MO	1550	597	953	500	160
BYP-50S/C-300-MO	1547	591	956	500	180

# OVERALL DIMENSIONS

## SINGLE ACTING WITH MANUAL OVERRIDE



13

Model Size	A	B	C	D	Weight(Kg)
BYPS-05S/C-55-1A-MO	693	140	553	160	15
BYPS-05S/C-75-1A-MO	693	140	553	160	16
BYPS-05S/C-75-1B-MO	693	140	553	160	16
BYPS-05S/C-100-1A-MO	693	140	553	160	17
BYPS-05S/C-100-1B-MO	693	140	553	160	18
BYPS-05S/C-100-1C-MO	693	140	553	160	18
BYPS-05S/C-100-1D-MO	693	140	553	160	19
BYPS-05S/C-100-1E-MO	693	140	553	160	19
BYPS-05S/C-100-1F-MO	693	140	553	160	19
BYPS-05S/C-135-1A-MO	693	140	553	160	22
BYPS-05S/C-135-1B-MO	693	140	553	160	22
BYPS-05S/C-135-1C-MO	693	140	553	160	23
BYPS-05S/C-135-1D-MO	693	140	553	160	23
BYPS-05S/C-135-1E-MO	693	140	553	160	24
BYPS-05S/C-135-1F-MO	693	140	553	160	24
BYPS-05S/C-135-1G-MO	693	140	553	160	24
BYPS-05S/C-135-1H-MO	693	140	553	160	24
BYPS-05S/C-150-1B-MO	693	140	553	160	26
BYPS-05S/C-150-1C-MO	693	140	553	160	26
BYPS-05S/C-150-1D-MO	693	140	553	160	26
BYPS-05S/C-150-1E-MO	693	140	553	160	27
BYPS-05S/C-150-1F-MO	693	140	553	160	27
BYPS-05S/C-150-1G-MO	693	140	553	160	28
BYPS-05S/C-150-1H-MO	693	140	553	160	28
BYPS-05S/C-150-1L-MO	693	140	553	160	28
BYPS-20S/C-100-2A-MO	967	225	742	200	49
BYPS-20S/C-125-2A-MO	967	225	742	200	51
BYPS-20S/C-125-2M-MO	967	225	742	200	51

# OVERALL DIMENSIONS

## SINGLE ACTING WITH MANUAL OVERRIDE

Model Size	A	B	C	D	Weight(Kg)
BYPS-20S/C-125-2N-MO	967	225	742	200	52
BYPS-20S/C-135-2A-MO	1010	225	785	250	57
BYPS-20S/C-135-2B-MO	1010	225	785	250	57
BYPS-20S/C-135-2H-MO	1010	225	785	250	58
BYPS-20S/C-150-2A-MO	1010	225	785	250	64
BYPS-20S/C-150-2B-MO	1010	225	785	250	64
BYPS-20S/C-150-2G-MO	1010	225	785	250	64
BYPS-20S/C-150-2H-MO	1010	225	785	250	64
BYPS-20S/C-175-2A-MO	984	225	759	250	67
BYPS-20S/C-175-2B-MO	984	225	759	250	67
BYPS-20S/C-175-2C-MO	984	225	759	250	68
BYPS-20S/C-175-2D-MO	984	225	759	250	68
BYPS-20S/C-175-2E-MO	984	225	759	250	68
BYPS-20S/C-175-2F-MO	984	225	759	250	69
BYPS-20S/C-175-2G-MO	984	225	759	250	69
BYPS-20S/C-175-2H-MO	984	225	759	250	69
BYPS-20S/C-200-2A-MO	1015	225	790	250	79
BYPS-20S/C-200-2B-MO	1015	225	790	250	79
BYPS-20S/C-200-2C-MO	1015	225	790	250	79
BYPS-20S/C-200-2D-MO	1015	225	790	250	80
BYPS-20S/C-200-2E-MO	1015	225	790	250	80
BYPS-20S/C-200-2F-MO	1015	225	790	250	80
BYPS-20S/C-235-2B-MO	1015	225	790	250	92
BYPS-20S/C-235-2C-MO	1015	225	790	250	92
BYPS-20S/C-235-2D-MO	1015	225	790	250	93
BYPS-20S/C-235-2E-MO	1015	225	790	250	93
BYPS-20S/C-235-2F-MO	1015	225	790	250	94
BYPS-20S/C-235-2L-MO	1015	225	790	250	94
BYPS-50S/C-175-3E-MO	1467	331	1136	400	110
BYPS-50S/C-200-3A-MO	1467	331	1136	400	130
BYPS-50S/C-200-3B-MO	1467	331	1136	400	130
BYPS-50S/C-200-3C-MO	1467	331	1136	400	130
BYPS-50S/C-200-3D-MO	1467	331	1136	400	130
BYPS-50S/C-235-3A-MO	1467	331	1136	400	165
BYPS-50S/C-235-3B-MO	1467	331	1136	400	165
BYPS-50S/C-235-3C-MO	1467	331	1136	400	165
BYPS-50S/C-235-3D-MO	1467	331	1136	400	165
BYPS-50S/C-255-3A-MO	1467	331	1136	600	180
BYPS-50S/C-255-3B-MO	1467	331	1136	600	180
BYPS-50S/C-255-3C-MO	1467	331	1136	600	182
BYPS-50S/C-255-3D-MO	1467	331	1136	600	182
BYPS-50S/C-280-3A-MO	1415	331	1084	600	190
BYPS-50S/C-280-3B-MO	1415	331	1084	600	190
BYPS-50S/C-280-3C-MO	1415	331	1084	600	192
BYPS-50S/C-280-3D-MO	1415	331	1084	600	192
BYPS-50S/C-300-3A-MO	1460	331	1129	600	217
BYPS-50S/C-300-3B-MO	1460	331	1129	600	217
BYPS-50S/C-300-3C-MO	1460	331	1129	600	218
BYPS-50S/C-300-3D-MO	1460	331	1129	600	218

## OPTIONAL FEATURES

### Mounting pad:

accessory mounting pad allows dual side mounting do not require fixing modification in case of rear side assembly.

### Mechanical Manual Override Option:

cost effective jackscrew is available for The DVG Automation BY series. It is important to note that, when equipped with jackscrew, a separate travel stop adjustment screw is maintained so avoiding any mis-position of the override and finally of the valve automated package.

### Jackscrew offers the following benefits:

Full rated torque is developed by the actuator in case of pneumatic supply failure;  
Available with declutch-able and locking devices to avoid spurious actuator operation;  
Double acting actuator are supplied with two off jackscrew.

### Hydraulic Override Option:

BYH series can be supplied with hydraulic manual override system

for both double acting and spring return actuator.

Power is provided by operation of local manual hydraulic hand pump.

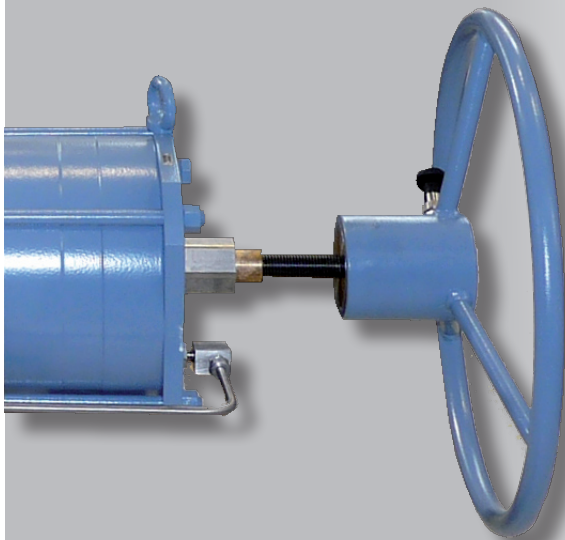
Open and close action can be selected by means of a directional control valve.

### Lifting point:

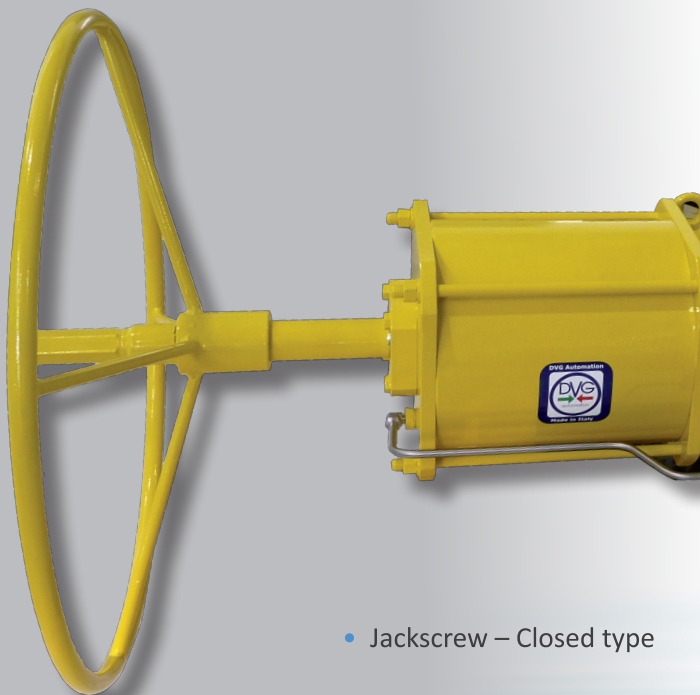
by means of DIN certified eyelet (three or four off lifting point according to center-body size).



• Jackscrew – Open type



• Declutchable



• Jackscrew – Closed type



Hydraulic manual override

# DVG AUTOMATION S.p.A.

Permanent Headquarters:

Via G. Rossetti, 2 - 29016 Cortemaggiore (PC) - Italy

REA Nr 167410 VAT Nr 01494460338

[www.dvgautomation.it](http://www.dvgautomation.it) [info@dvgautomation.it](mailto:info@dvgautomation.it)

Tel. (+39) 0523 255811 Fax (+39) 0523 255890

BYP102010

