

# DVG AUTOMATION

the excellence in flow control automation

**"QT" SERIES**  
Pneumatic ACTUATORS

## INTRODUCTION

The DVG Automation newly designed "QT" Scotch Yoke Series incorporates several new design features to provide higher efficiency and cost effective solution.

These actuators show compact design but above all introduce a new generation of patented mechanism which minimizes wearing effect on all loaded & sliding parts, thus extending overall lifespan.

These features boost our QT Series for all modulating as well as heavy-duty services virtually fitting any quarter turn (90 deg) application.



2

## OPERATING RANGE

The DVG Automation Double-acting QT Series Actuators are available with individual test and guaranteed minimum output torque ranging from 1,800 Nm (15,900 lb-in) to 180,000 Nm (1,593,000 lb-in).

Our Single Acting QT series Actuators produce spring ending torque ranging from 1,350 Nm (11,950 lb-in) to 60,750 Nm (537,650 lb-in).

Further torque ranges available on request

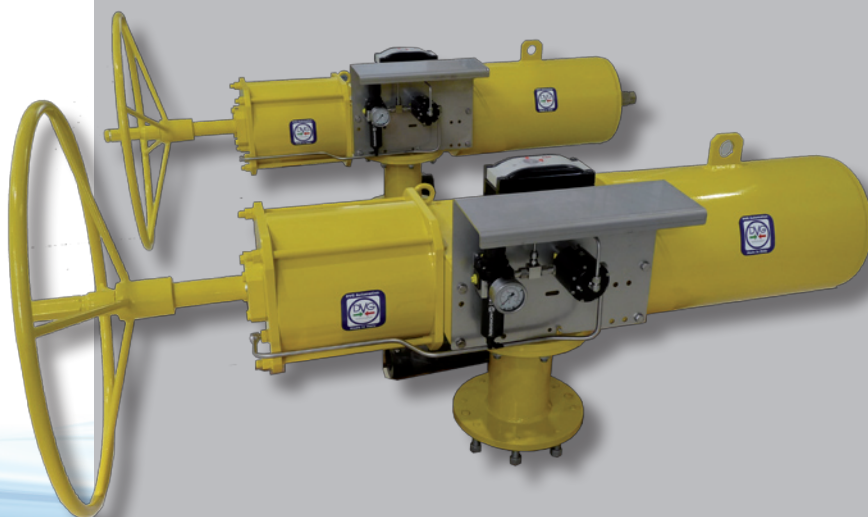
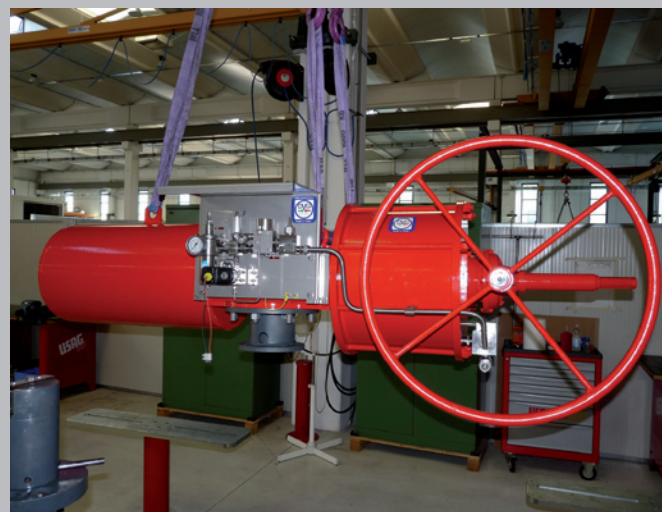
The Pneumatic operating pressure for the QT Series ranges between 3 barg (45 psig) to 12 barg (175 psig).

Standard design construction allows operating temperature from -30 degC (-22 degF) to +93 degC (+199 degF).

Low temperature design extends operating range down to -60 degC (-76 degF).

Supply medium:

Instrument air, nitrogen, sweet gas. Special version available for sour gas.



# KEY DESIGN FEATURES & ADVANTAGES

## Scotch Yoke:

PATENTED mechanism introduces three main features:

Quad Guide Bars Design

Piston Rod-Guide Block New Design Connection

Closed Drive Yoke Wings for all Center-body Sizes

## Mechanism Guide System:

PATENTED Quad Guide Bar hard chromium plated zeroing guide block swing extending piston rod lifespan under heavy load &/or continuous modulating duty and void any side load to be imparted on valve stem.

Excellent surfaces finish and self lubricate bearings accomplish higher overall efficiency.

## External Tie Rod:

External tie-rod design provides operational safety and maintains cylinder integrity.

## Symmetric or canted yoke:

QT Series is available with either symmetric or canted yoke design depending on valve torque profile demand.

## Water ingress protection:

Totally enclosed and weather-proof actuator center-body is engineered to meet IP66, IP67 IP67M and NEMA 4 & 4X Specifications for submerged and high pressure water deluge applications.

## Materials:

Cylinder Tube & all structural parts are manufactured in carbon steel material:

no cast/grey iron or aluminum parts are present.

All pressure containing parts are supplied with 3.1 Certificate according to EN10204.

DVG Automation guarantees, where applicable, that actuators are designed and manufactured according to PED (97/23 CE) Directive.

## Corrosion Prevention:

Cylinder tube is internally nickel-plated lined (minimum 25µm). Nickel-plating layer can be increased upon request.

External coating provides higher reliability in harsh environmental conditions as per ISO 12944 (Expected Durability) and in compliance with NORSOK M-CR-501 requirements.

## Seal:

Floating type piston seal prevents sticking phenomena after prolonged operation-less period and ensures reduced hysteresis and high sensitivity.

## Bearing:

Dual piston PTFE sliding guide, yoke and guide block are mounted with steel bronze Teflon coated bushing to minimize wearing effect and show higher sensitivity.

## ISO Valve Mounting:

The QT Series valve interface responds to ISO 5211 dimensional requirements according to specific torque range. Different arrangements can be evaluated to meet specific need (i.e. MSS SP-101, etc.); direct mounting is feasible if available space permits.

## Labeling:

AISI 316 Stainless Steel embossed name plate ensures long lasting information preservation, thus guaranteeing lifetime traceability.

## Travel stops:

External travel stops with protective cap ensure precise angular stroke adjustment up to -5deg/+5deg at each end.

## Versatility & Modularity: key features for a successful design

The QT series has been designed with modular concept in mind so to have field repairable center-body, power, spring and override modules available as individual purchase to optimize spare parts inventory. Each module can be removed, serviced &/or replaced while actuator is still assembled onto the valve.

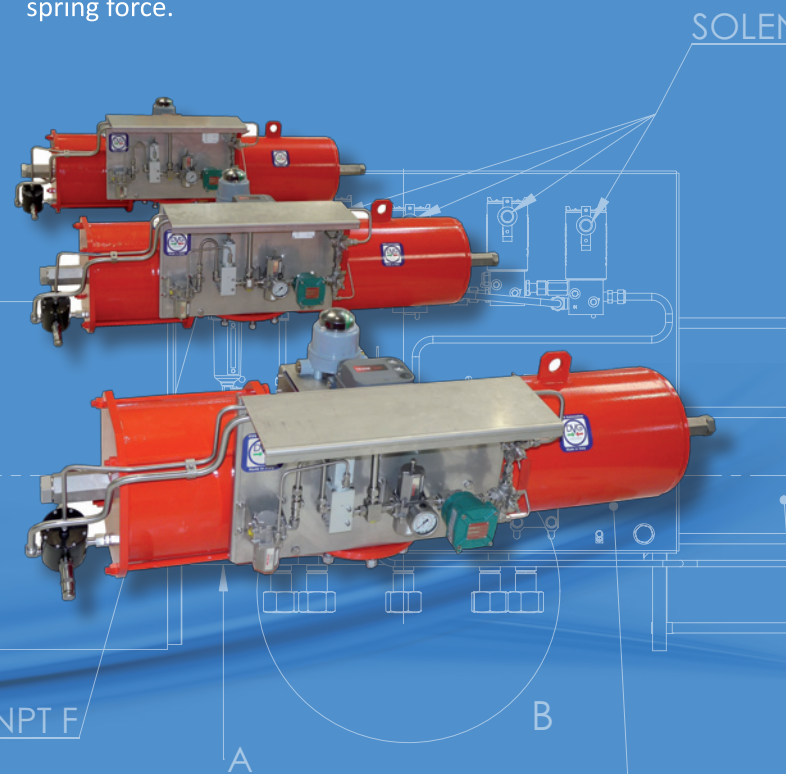
Specifically power module is designed and constructed to allow pressure testing independently from the center-body.

Power and spring modules can be easily swapped allowing fast fail safe action reversal.

## Safety:

Lifting point by means of DIN certified eyelet located on actuator center-body.

Fully welded o-ring sealed spring canister module is inherently safe; the DVG Automation adopted system allows safe assembly/disassembly without any risk for the personnel due to residual spring force.



PNEUMATIC CONNECTION 1/4" NPT F

## OPTIONAL FEATURES

### Mounting pad:

Accessory mounting pad allows dual side mounting & does not require any fixing modification in case of rear side assembly.

### Manual Override Option:

Cost effective jackscrew is available for the DVG Automation QT Series where torque demand permits. It is important to note that, when equipped with jackscrew, separate travel stop adjustment screw is maintained so avoiding any mal-positioning of the override and finally of the valve automated package. Jackscrew offers the following benefits:

- Full rated torque is developed by the actuator in case of pneumatic supply failure;
- Available with declutch-able and locking devices to avoid spurious actuator operation;

When torque demand increases DVG Automation offers reduction gear manual override to maintain sustainable rim pull efforts.

As additional alternative, DVG Automation provides hydraulic manual override (MH) to operate the valve in lack of power supply, particularly indicated in double acting actuators. It also allows precise & independent stroking time adjustment, smooth operation throughout the entire travel. Hydraulic manual override consists of a hydraulic cylinder mounted directly on actuator driven by a hydraulic control unit inclusive of: hand-pump, directional control valve, oil tank, relief valve and one-way flow restrictor. Remote mounting hydraulic control units are available: contact factory.

### Mechanical locking device

This external device is wafer-mounted between the actuator and the valve, normally integrated in valve mounting hardware. It offers basic partial stroke testing for Emergency Shutdown Valve automated package and it can be used for other safety process applications. The locking device mechanically limits the valve/actuator assembly travel to 20deg (or as per specific Customer request) clockwise or counter-clockwise. Once disengaged, the complete assembly is free to travel for the entire stroke with no interference.

## CONTROL SYSTEM

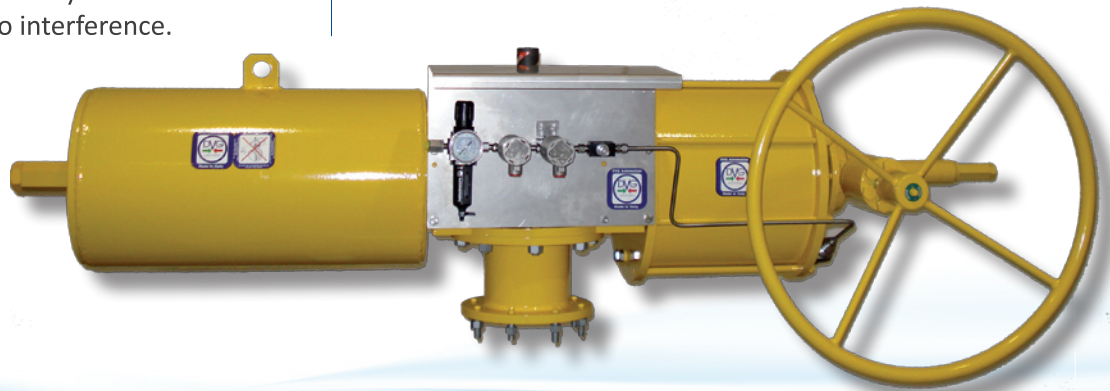
Actuator Control Systems are integral part of any automated valve package. Our QT Series Actuators can be equipped with an extensive range of auxiliary components specifically engineered and integrated to meet the largest variety of Customers' requests either for ON/OFF or modulating duty.

Our Control Systems can be housed within cabinet &/or stainless steel (AISI316) panel folded over to provide sun-shade, and assembled on actuator or at remote location.

DVG Automation has already pre-engineered different solutions to meet the most commonly required control systems. These solutions, based on standard components, offer reduced lead time, simplified purchasing, commissioning and start-up activities. Please contact factory for any additional detail.

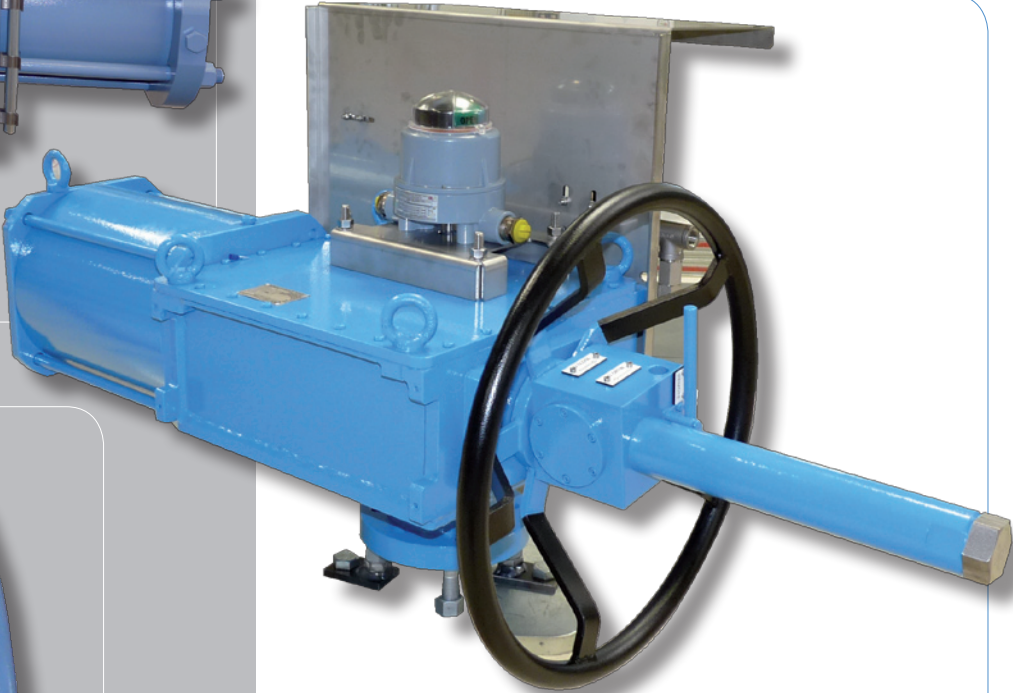
### Position Monitor Device:

All positioning monitor devices can be assembled on top of our QT Series actuators, responding to any kind of technical requirement.

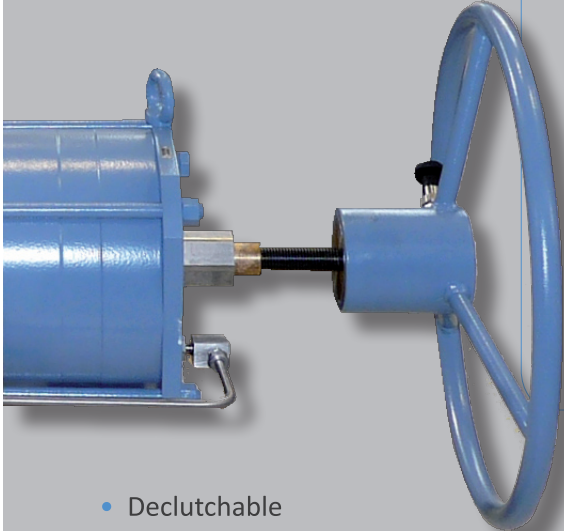


# MANUAL OVERRIDES

- Hydraulic manual override

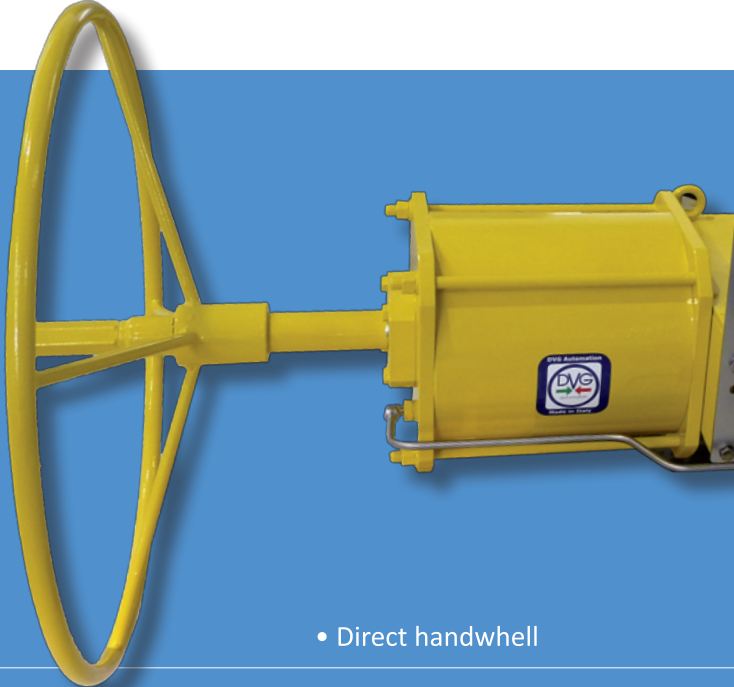


- Jackscrew – Closed type



- Declutchable

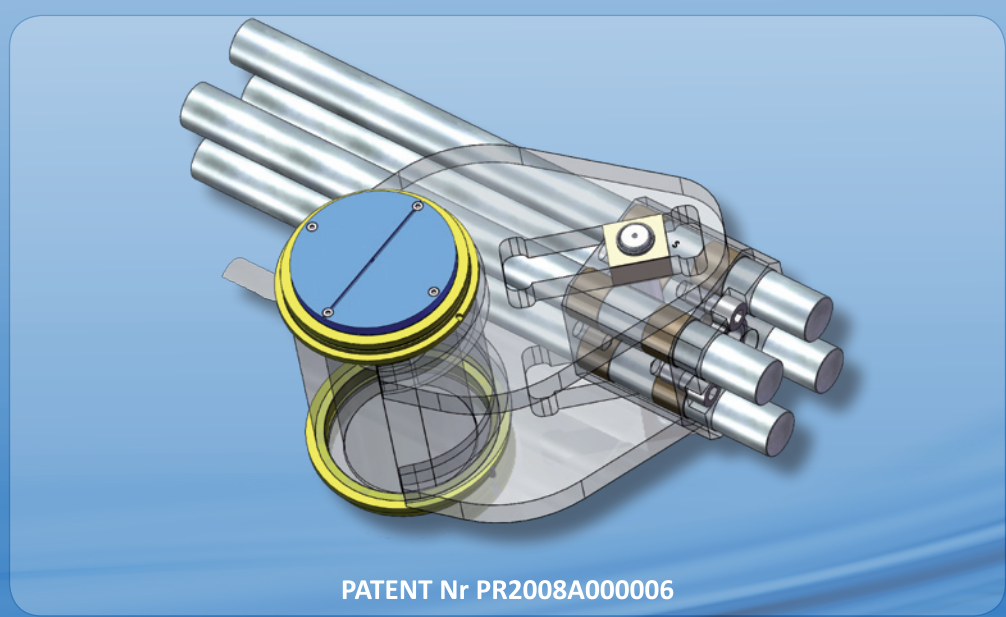
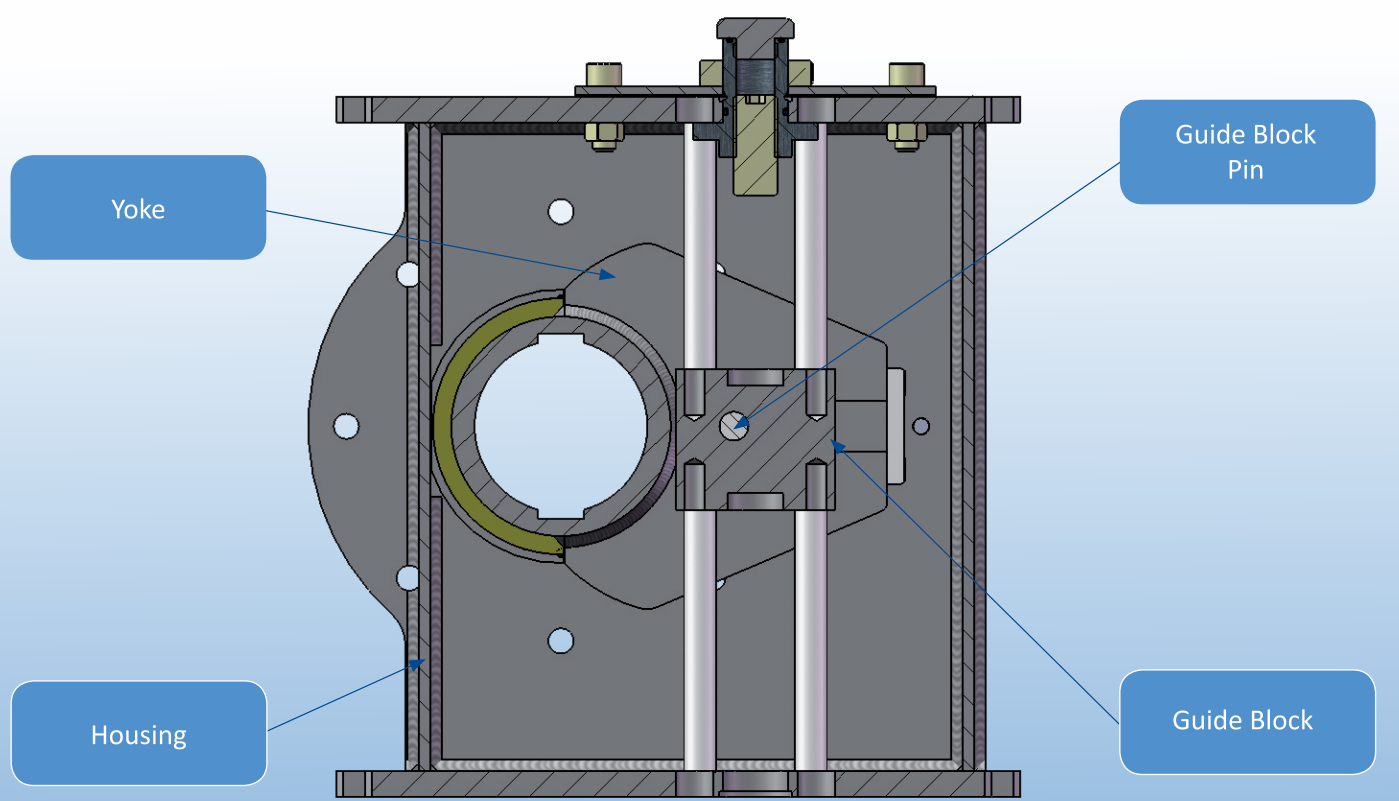
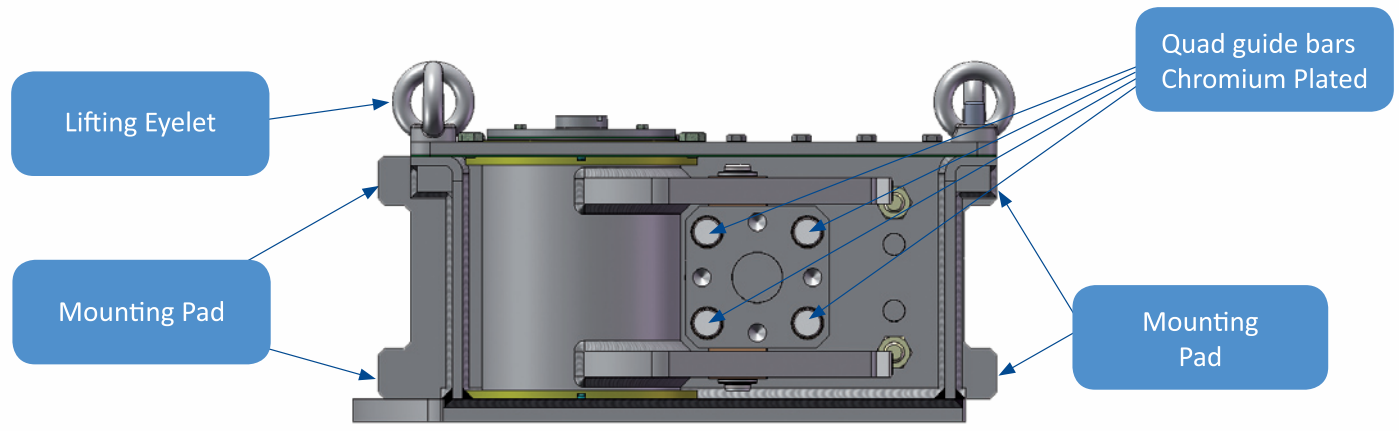
- Reduction gear



- Direct handwheel

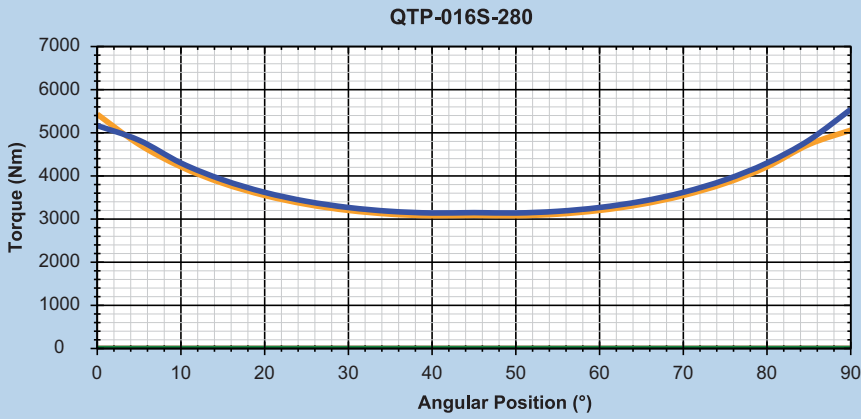


# SCOTCH YOKE



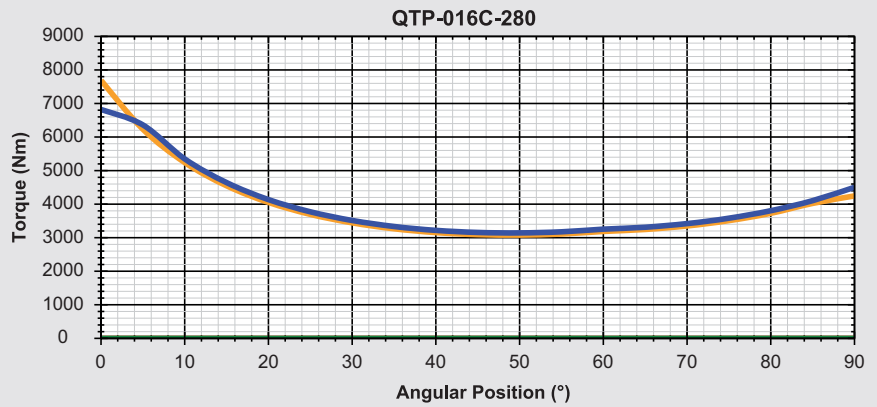
PATENT Nr PR2008A000006

# QT SERIES double acting torque



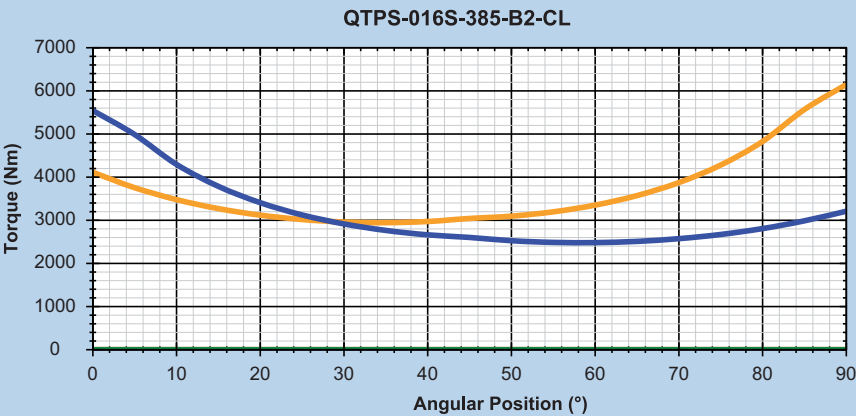
**FIGURE 1**  
Torque for symmetric double acting QT

**FIGURE 2**  
Torque for canted double acting QT



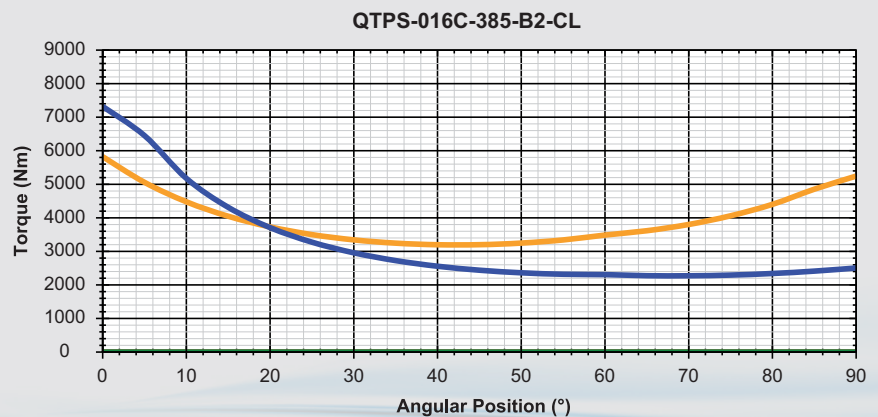
8

# QT SERIES single acting torque



**FIGURE 3**  
Torque for symmetric single acting QT

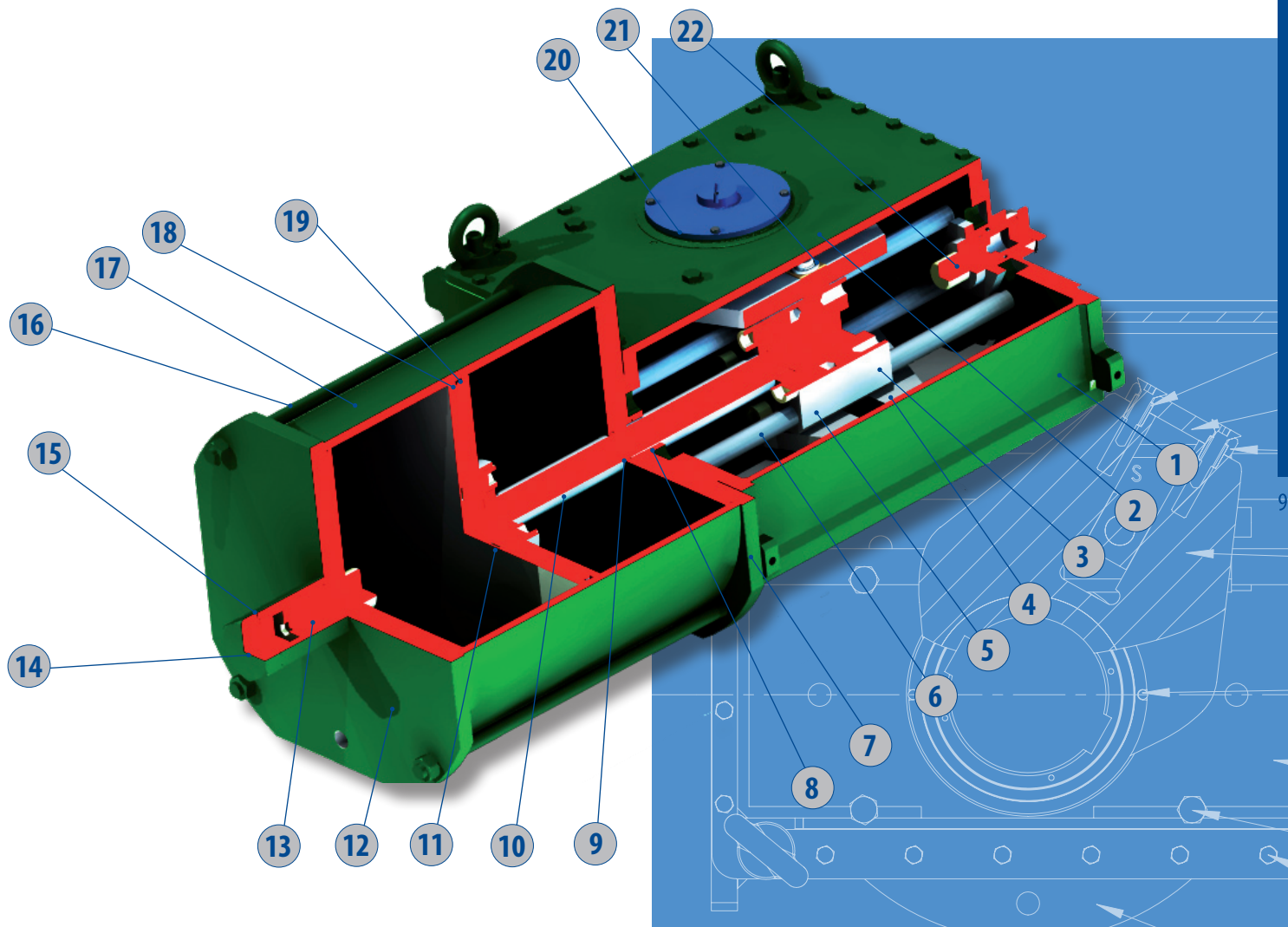
**FIGURE 4**  
Torque for canted single acting QT





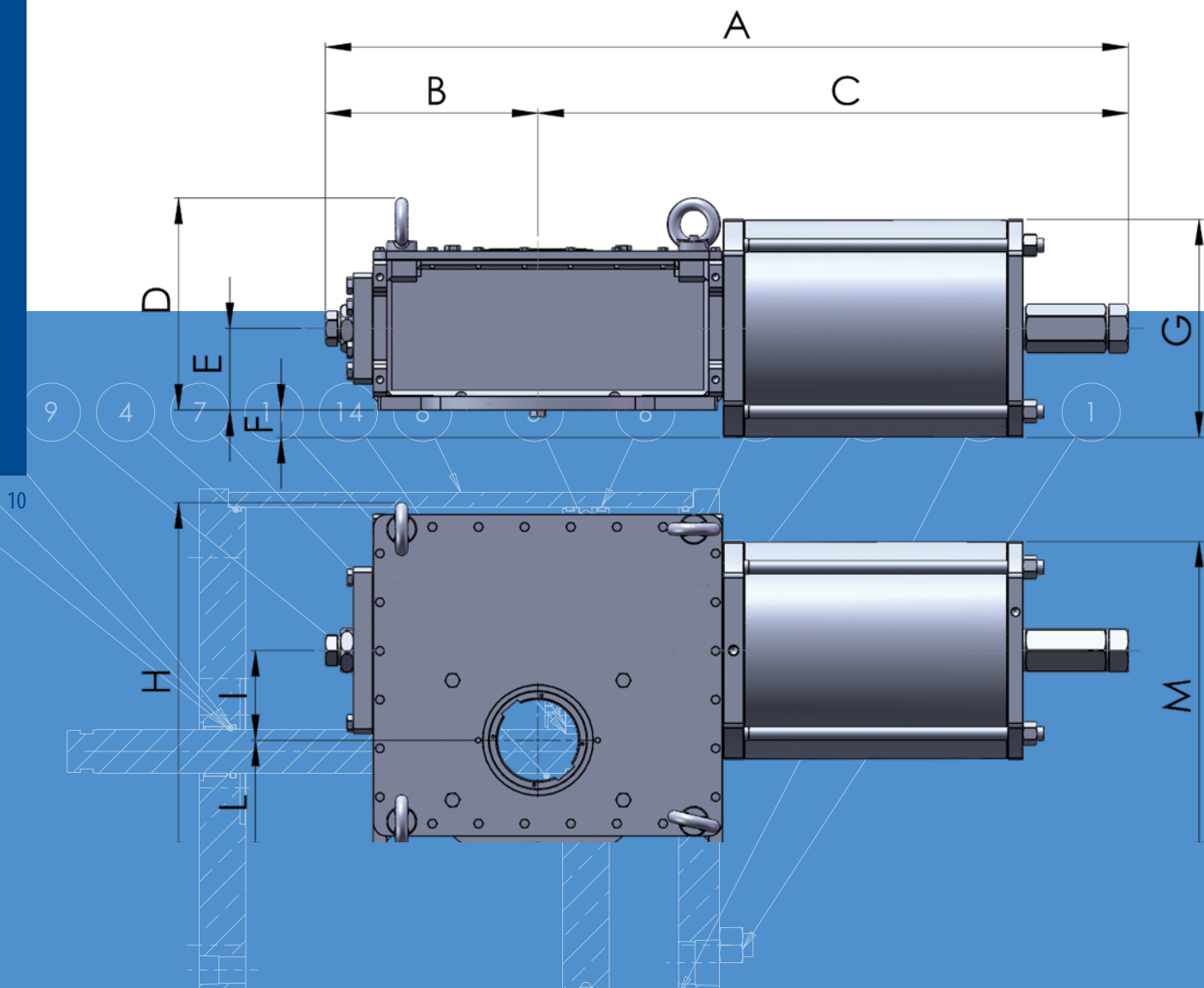
# QT SERIES

## DOUBLE ACTING SECTIONAL DRAWING



ITEM	DESCRIPTION	EN MATERIAL	ASTM MATERIAL
1	Housing	S355 J2G3 EN 10025	ASTM A570 Gr. 50
2	Cover	S355 J2G3 EN 10025	ASTM A570 Gr. 50
3	Guide block bushing	Carbon steel + Bronze + PTFE	Carbon steel + Bronze + PTFE
4	Scotch yoke	S355 J2G3 EN 10025 + E355 EN 10297	ASTM A570 Gr. 50 + ASTM A500 Gr. C
5	Guide block	S355JR EN 10025	ASTM A572 Gr 50
6	Guide bar	42CrMo4 EN10083	AISI (4140)
7	Cylinder Head flange	S355 J2G3 EN 10025	ASTM A570 Gr. 50
8	Piston rod bushing	Carbon steel + Bronze + PTFE	Carbon steel + Bronze + PTFE
9	Piston rod seal	NBR (FKM – MFQ – CR)	NBR (FKM – MFQ – CR)
10	Piston rod	42CrMo4 EN10083	AISI (4140)
11	Piston	S355 J2G3 EN 10025	ASTM A570 Gr. 50
12	Cylinder End flange	S355 J2G3 EN 10025	ASTM A570 Gr. 50
13	Travel stop screw	Class 45H ISO 4026	Class 45H ISO 4026
14	Plug	X5 CrNi 18 10	ASTM A276/276MTP304
15	Stop screw protection	X5 CrNi 18 10	ASTM A276/276MTP304
16	Tie rod	ASTM A320L7	ASTM A320L7
17	Cylinder tube	E355K2+N EN10297 – E355+N EN10305	ASTM A580 Grade C
18	Piston seal	NBR (FKM – MFQ – CR)	NBR (FKM – MFQ – CR)
19	Piston sliding guide	PTFE+Graphite	PTFE+Graphite
20	Yoke bushing	Carbon steel + Bronze + PTFE	Carbon steel + Bronze + PTFE
21	Guide block pin	42CrMo4 EN10083	AISI (4140)
22	Travel stop screw	Class 45H ISO 4026	Class 45H ISO 4026

# QT DOUBLE ACTING OVERALL DIMENSIONS

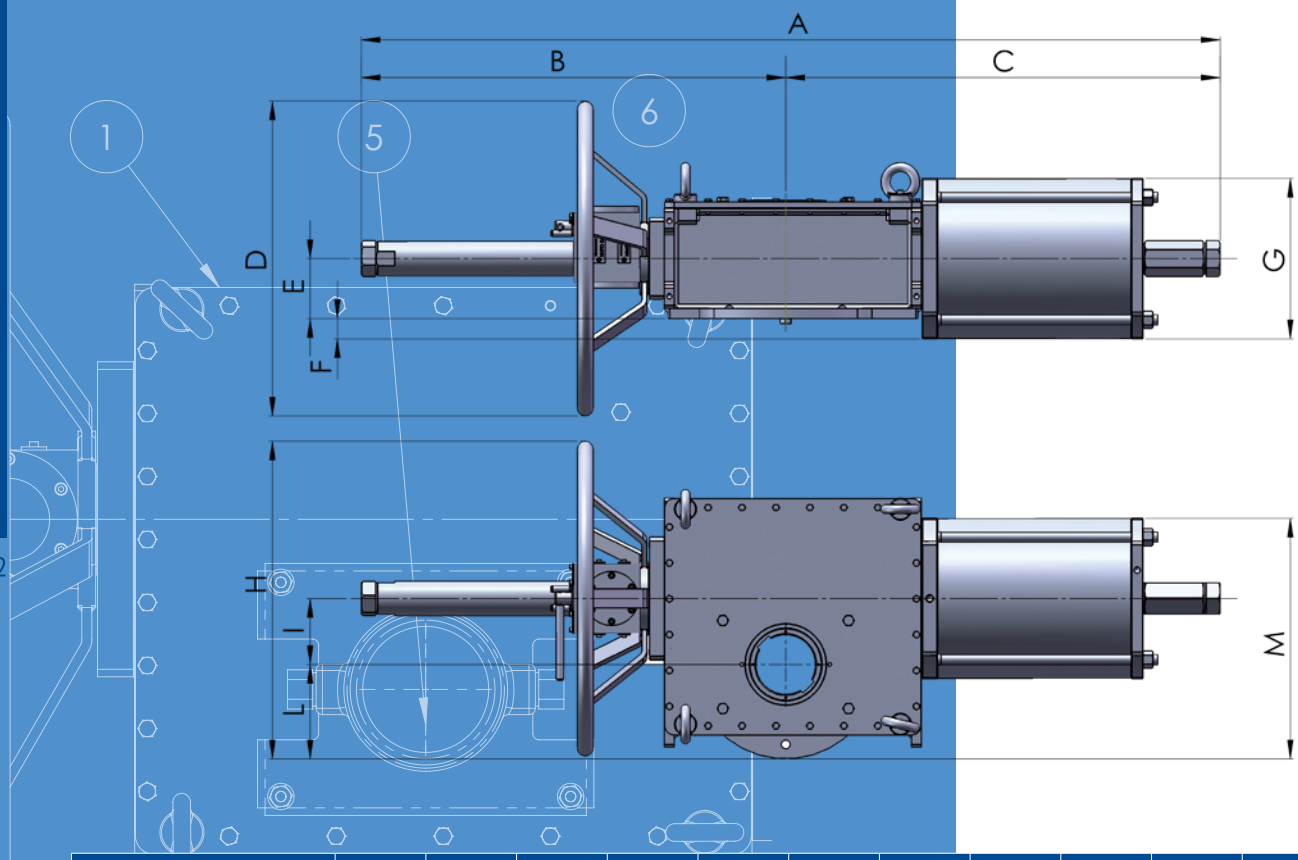


Model Size	A	B	C	D	E	F	G	H	I	L	M	Weight(Kg)
QTP-010S/C-235	940	249	691	248	96	32	255	428	105	150	383	140
QTP-010S/C-255	942	249	693	248	96	42	275	428	105	150	393	150
QTP-010S/C-280	940	249	691	248	96	54	300	428	105	150	405	155
QTP-010S/C-300	944	249	695	248	96	69	330	428	105	150	420	175
QTP-010S/C-335	950	249	701	248	96	84	360	428	105	150	435	180
QTP-010S/C-360	960	249	711	248	96	104	400	428	105	150	455	190
QTP-010S/C-385	965	249	716	248	96	134	460	428	105	150	485	200
QTP-016S/C-280	1100	293	807	277	111	39	300	508	135	176	461	220
QTP016S/C-300	1101	293	808	277	111	54	330	508	135	176	476	230
QTP016S/C-335	1101	293	808	277	111	69	360	508	135	176	491	245
QTP016S/C-385	1120	293	827	277	111	119	460	541	135	176	541	290
QTP016S/C-435	1122	293	829	277	111	144	510	566	135	176	566	330
QTP016S/C-485	1141	293	848	277	111	174	570	596	135	176	596	390
QTP-030S/C-335	1569	405	1164	323	130	50	360	655	180	208	568	395
QTP-030S/C-385	1571	405	1166	323	130	100	460	655	180	208	618	440

# QT DOUBLE ACTING OVERALL DIMENSIONS

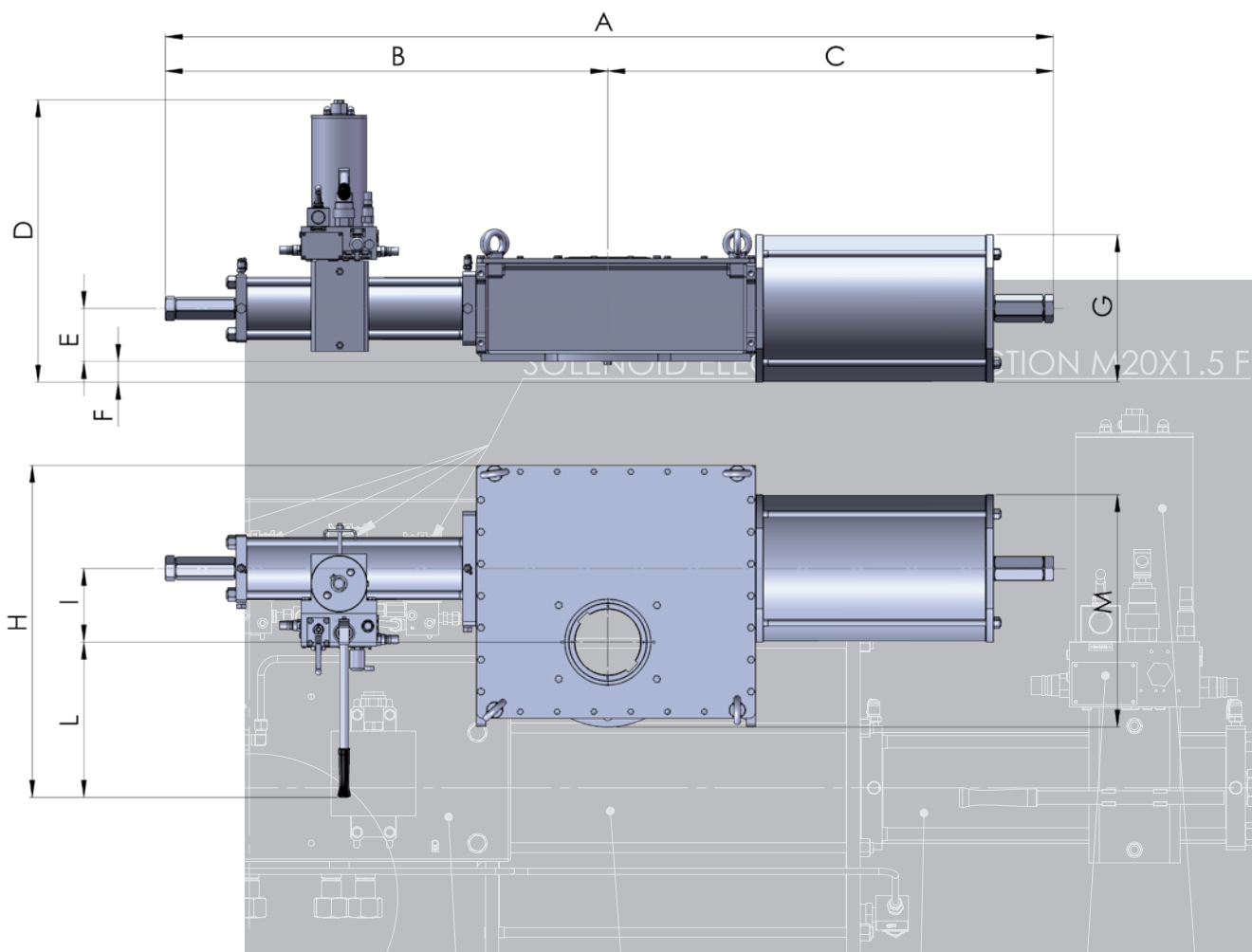
Model Size	A	B	C	D	E	F	G	H	I	L	M	Weight(Kg)
QTP-030S/C-435	1490	405	1085	323	130	125	510	655	180	208	643	475
QTP-030S/C-485	1576	405	1171	323	130	155	570	655	180	208	673	545
QTP-030S/C-535	1583	405	1178	323	130	185	630	655	180	208	703	625
QTP-030S/C-585	1590	405	1185	323	130	215	690	655	180	208	733	640
QTP-060S/C-435	1785	474	1311	421	163	92	510	801	205	260	720	780
QTP-060S/C-485	1790	474	1316	421	163	122	570	801	205	260	750	790
QTP-060S/C-535	1794	474	1320	421	163	152	630	801	205	260	780	860
QTP-060S/C-565	1798	474	1324	421	163	182	690	801	205	260	810	900
QTP-060S/C-585	1808	474	1334	421	163	182	690	801	205	260	810	965
QTP-060S/C-635	1863	474	1389	421	163	212	750	801	205	260	840	1065
QTP-060S/C-685	1880	474	1406	421	163	232	790	801	205	260	860	1100
QTP-060S/C-735	1889	474	1415	421	163	257	840	801	205	260	885	1150
QTP-120S/C-585	2030	544	1486	525	205	140	690	905	230	280	855	1480
QTP-120S/C-635	2034	544	1490	525	205	170	750	905	230	280	885	1500
QTP-120S/C-685	2039	544	1495	525	205	190	790	905	230	280	905	1500
QTP-120S/C-735	2048	544	1504	525	205	215	840	905	230	280	930	1650
QTP-120S/C-785	2052	544	1508	525	205	230	870	905	230	280	945	1680
QTP-120S/C-835	2060	544	1516	525	205	245	900	905	230	280	960	1685
QTP-120S/C-885	2070	544	1526	525	205	260	930	905	230	280	975	1692
QTP-120S/C-935	2078	544	1534	525	205	295	1000	905	230	280	1010	1750
QTP-180S/C-685	2200	566	1634	610	230	165	790	1005	260	350	1005	1900
QTP-180S/C-735	2210	566	1644	610	230	190	840	1005	260	350	1030	1920
QTP-180S/C-785	2220	566	1654	610	230	205	870	1005	260	350	1045	1925
QTP-180S/C-835	2226	566	1660	610	230	220	900	1005	260	350	1060	1925
QTP-180S/C-885	2230	566	1664	610	230	235	930	1005	260	350	1075	1928
QTP-180S/C-935	2230	566	1664	610	230	270	1000	1005	260	350	1110	1935
QTP-180S/C-1000	2240	566	1674	610	230	330	1120	1005	260	350	1170	1980
QTP-180S/C-1050	2245	566	1679	610	230	360	1180	1005	260	350	1200	2020

# QT DOUBLE ACTING WITH MECHANICAL MANUAL OVERRIDE (MO) OVERALL DIMENSIONS



Model Size	A	B	C	D	E	F	G	H	I	L	M	Weight(Kg)
QTP-010 S/C-235-MO	1366	675	691	500	96	32	255	505	105	150	383	180
QTP-010 S/C-255-MO	1368	675	693	500	96	42	275	505	105	150	393	190
QTP-010 S/C-280-MO	1366	675	691	500	96	54	300	505	105	150	405	195
QTP-010 S/C-300-MO	1370	675	695	500	96	69	330	505	105	150	420	210
QTP-010 S/C-335-MO	1372	675	697	500	96	84	360	505	105	150	435	215
QTP-010 S/C-360-MO	1375	675	700	500	96	104	400	505	105	150	455	220
QTP-010 S/C-385-MO	1380	675	705	500	96	134	460	505	105	150	485	224
QTP-016 S/C-280-MO	1579	772	807	650	111	39	300	636	135	176	461	270
QTP-016 S/C-300-MO	1580	772	808	650	111	54	330	636	135	176	476	285
QTP-016 S/C-335-MO	1580	772	808	650	111	69	360	636	135	176	491	300
QTP-016 S/C-385-MO	1599	772	827	650	111	119	460	636	135	176	541	340
QTP-016 S/C-435-MO	1601	772	829	650	111	144	510	636	135	176	566	370
QTP-016 S/C-485-MO	1621	773	848	650	111	174	570	636	135	176	596	440
QTP-030 S/C-335-MO	2105	941	1164	800	130	50	360	887	180	208	568	470
QTP-030 S/C-385-MO	2150	984	1166	800	130	100	460	887	180	208	618	474
QTP-030 S/C-435-MO	2196	1111	1085	800	130	125	510	887	180	208	643	480
QTP-030 S/C-485-MO	2220	1049	1171	800	130	155	570	887	180	208	673	490
QTP-030 S/C-535-MO	2253	1075	1178	800	130	185	630	887	180	208	703	498
QTP-030 S/C-585-MO	2289	1104	1185	800	130	215	690	887	180	208	733	506
QTP-060 S/C-435-MO	2720	1409	1311	1000	152	103	510	1196	205	260	720	580
QTP-060 S/C-485-MO	2780	1464	1316	1000	152	133	570	1196	205	260	750	592
QTP-060 S/C-535-MO	2830	1510	1320	1000	152	163	630	1196	205	260	780	605
QTP-060 S/C-565-MO	2872	1548	1324	1000	152	193	690	1196	205	260	810	623
QTP-060 S/C-585-MO	2900	1566	1334	1000	152	193	690	1196	205	260	810	650
QTP-060 S/C-635-MO	2940	1551	1389	1000	152	223	750	1196	205	260	840	680
QTP-060 S/C-685-MO	2960	1554	1406	1000	152	243	790	1196	205	260	860	698
QTP-060 S/C-735-MO	3050	1635	1415	1000	152	268	840	1196	205	260	885	715

# QT DOUBLE ACTING WITH HYDRAULIC MANUAL OVERRIDE (MH) OVERALL DIMENSIONS

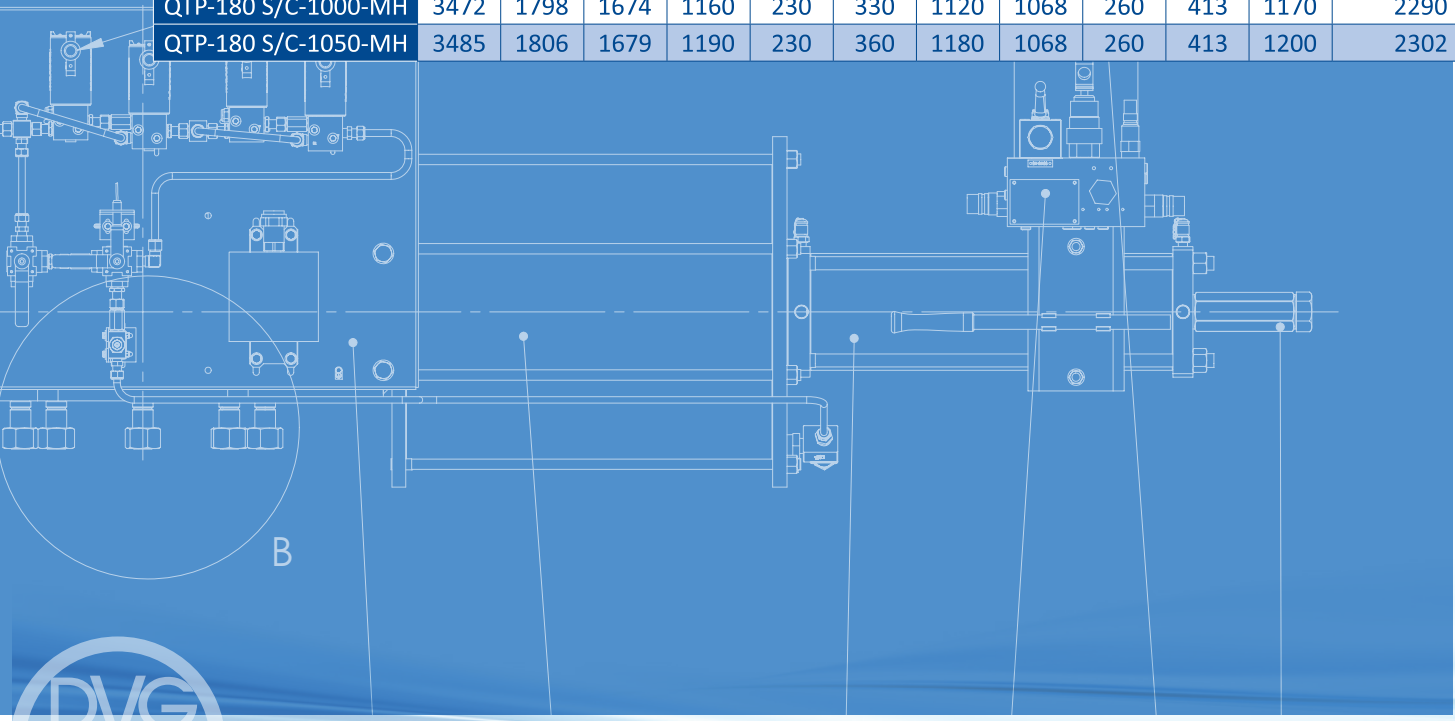


Model Size	A	B	C	D	E	F	G	H	I	L	M	Weight (Kg)
QTP-010 S/C-235-MH	1388	697	691	593	96	32	255	711	105	433	383	157
QTP-010 S/C-255-MH	1390	697	693	603	96	42	275	711	105	433	393	160
QTP-010 S/C-280-MH	1393	702	691	615	96	54	300	711	105	433	405	165
QTP-010 S/C-300-MH	1395	700	695	630	96	69	330	711	105	433	420	170
QTP-010 S/C-335-MH	1400	699	701	645	96	84	360	711	105	433	435	174
QTP-010 S/C-360-MH	1405	694	711	665	96	104	400	711	105	433	455	178
QTP-010 S/C-385-MH	1408	692	716	695	96	134	460	711	105	433	485	185
QTP-016 S/C-280-MH	1602	795	807	636	111	39	300	756	135	424	461	250
QTP-016 S/C-300-MH	1602	794	808	651	111	54	330	756	135	424	476	264
QTP-016 S/C-335-MH	1610	802	808	666	111	69	360	756	135	424	491	272
QTP-016 S/C-385-MH	1615	788	827	716	111	119	460	789	135	424	541	280
QTP-016 S/C-435-MH	1620	791	829	741	111	144	510	814	135	424	566	289
QTP-016 S/C-485-MH	1624	776	848	771	111	174	570	844	135	424	596	297
QTP-030 S/C-335-MH	2172	1008	1164	666	130	50	360	826	180	379	568	464
QTP-030 S/C-385-MH	2175	1009	1166	716	130	100	460	826	180	379	618	468

# QT DOUBLE ACTING WITH HYDRAULIC MANUAL OVERRIDE (MH) OVERALL DIMENSIONS

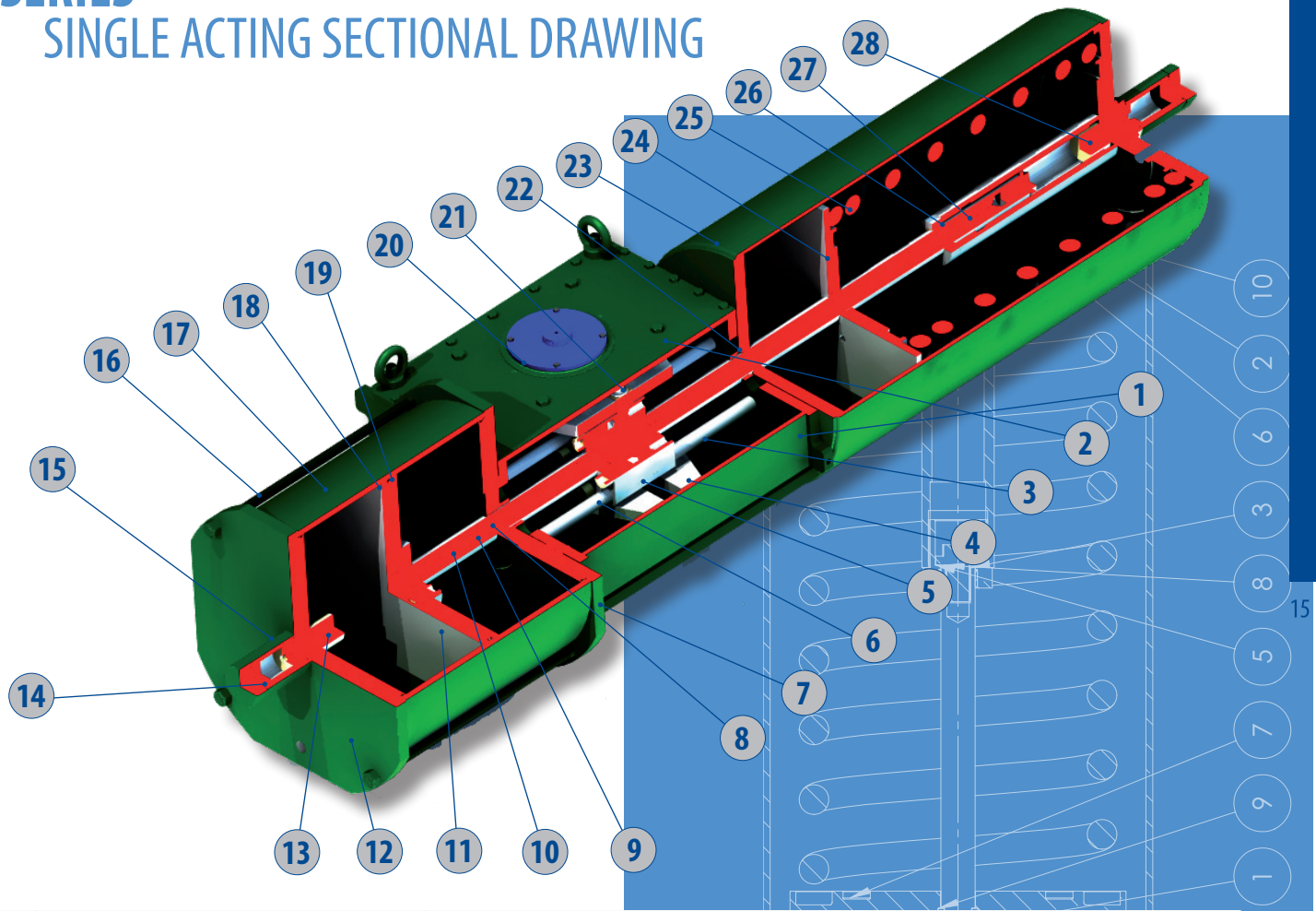
Model Size	A	B	C	D	E	F	G	H	I	L	M	Weight (Kg)
QTP-030 S/C-435-MH	2180	1095	1085	741	130	125	510	826	180	379	643	475
QTP-030 S/C-485-MH	2190	1019	1171	771	130	155	570	826	180	379	673	480
QTP-030 S/C-535-MH	2195	1017	1178	801	130	185	630	826	180	379	703	490
QTP-030 S/C-585-MH	2200	1015	1185	831	130	215	690	826	180	379	733	495
QTP-060 S/C-435-MH	2600	1289	1311	767	163	92	510	921	205	380	720	840
QTP-060 S/C-485-MH	2610	1294	1316	797	163	122	570	921	205	380	750	850
QTP-060 S/C-535-MH	2620	1300	1320	827	163	152	630	921	205	380	780	854
QTP-060 S/C-565-MH	2632	1308	1324	857	163	182	690	921	205	380	810	855
QTP-060 S/C-585-MH	2635	1301	1334	857	163	182	690	921	205	380	810	858
QTP-060 S/C-635-MH	2640	1251	1389	887	163	212	750	921	205	380	840	864
QTP-060 S/C-685-MH	2648	1242	1406	907	163	232	790	921	205	380	860	868
QTP-060 S/C-735-MH	2655	1240	1415	932	163	257	840	921	205	380	885	870
QTP-120 S/C-585-MH	2886	1400	1486	921	205	140	690	1044	230	419	855	1780
QTP-120 S/C-635-MH	2902	1412	1490	951	205	170	750	1044	230	419	885	1790
QTP-120 S/C-685-MH	2915	1420	1495	971	205	190	790	1044	230	419	905	1810
QTP-120 S/C-735-MH	2930	1426	1504	996	205	215	840	1044	230	419	930	1835
QTP-120 S/C-785-MH	2942	1434	1508	1011	205	230	870	1044	230	419	945	1840
QTP-120 S/C-835-MH	2958	1442	1516	1026	205	245	900	1044	230	419	960	1848
QTP-120 S/C-885-MH	2965	1439	1526	1041	205	260	930	1044	230	419	975	1860
QTP-120 S/C-935-MH	2979	1445	1534	1076	205	295	1000	1044	230	419	1010	1880
QTP-180 S/C-685-MH	3388	1754	1634	995	230	165	790	1068	260	413	1005	2200
QTP-180 S/C-735-MH	3398	1754	1644	1020	230	190	840	1068	260	413	1030	2220
QTP-180 S/C-785-MH	3419	1765	1654	1035	230	205	870	1068	260	413	1045	2242
QTP-180 S/C-835-MH	3435	1775	1660	1050	230	220	900	1068	260	413	1060	2258
QTP-180 S/C-885-MH	3445	1781	1664	1065	230	235	930	1068	260	413	1075	2268
QTP-180 S/C-935-MH	3460	1796	1664	1100	230	270	1000	1068	260	413	1110	2279
QTP-180 S/C-1000-MH	3472	1798	1674	1160	230	330	1120	1068	260	413	1170	2290
QTP-180 S/C-1050-MH	3485	1806	1679	1190	230	360	1180	1068	260	413	1200	2302

14



# QT SERIES

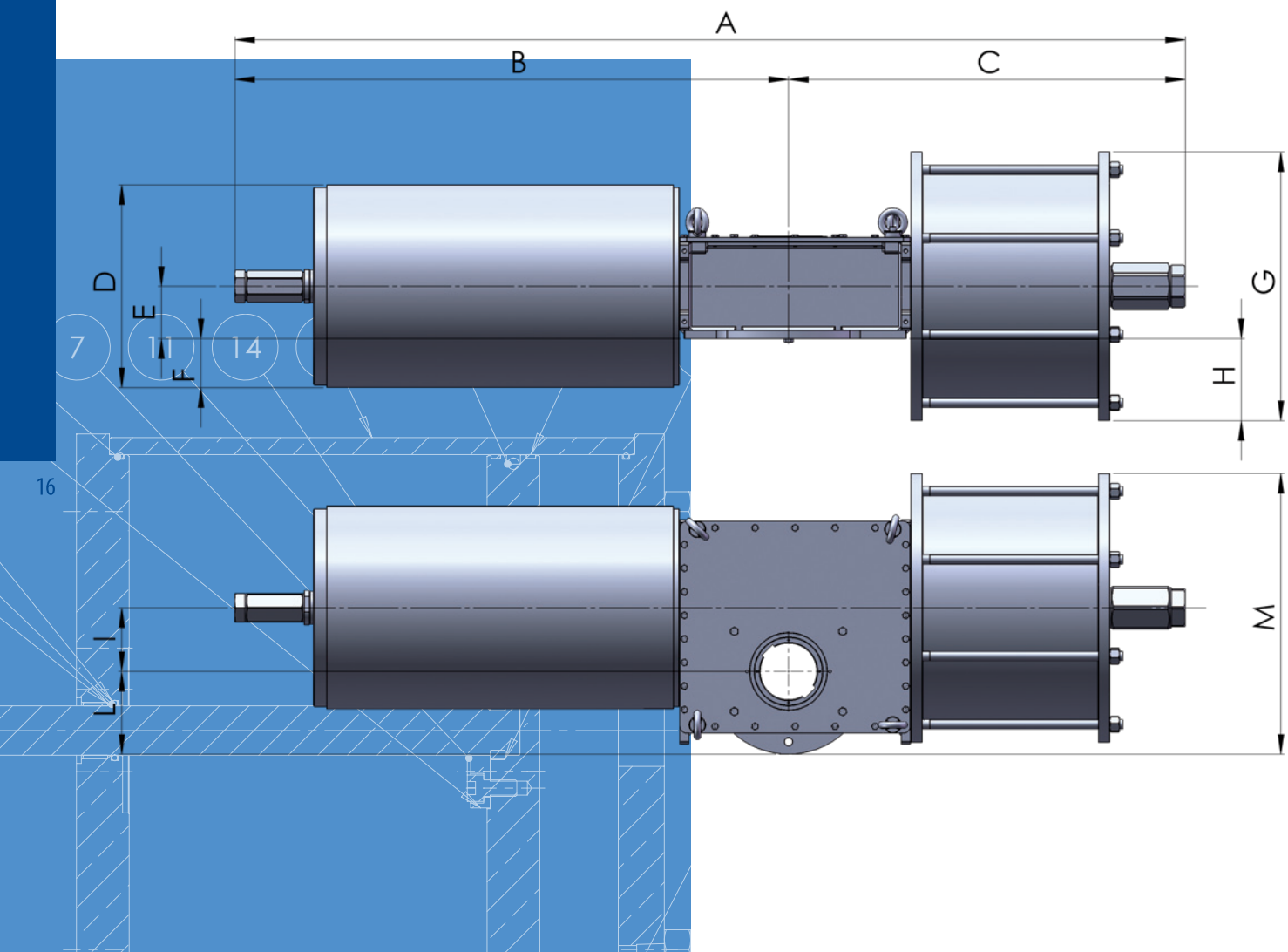
## SINGLE ACTING SECTIONAL DRAWING



ITEM	DESCRIPTION	EN MATERIAL	ASTM MATERIAL
1	Housing	S355 J2G3 EN 10025	ASTM A570 Gr. 50
2	Cover	S355 J2G3 EN 10025	ASTM A570 Gr. 50
3	Guide block bushing	Carbon steel + Bronze + PTFE	Carbon steel + Bronze + PTFE
4	Scotch yoke	S355 J2G3 EN 10025 + E355 EN 10297	ASTM A570 Gr. 50 + ASTM A500 Gr. C
5	Guide block	S355JR EN 10025	ASTM A572 Gr 50
6	Guide bar	42CrMo4 EN10083	AISI (4140)
7	Cylinder Head flange	S355 J2G3 EN 10025	ASTM A570 Gr. 50
8	Piston rod bushing	Carbon steel + Bronze + PTFE	Carbon steel + Bronze + PTFE
9	Piston rod seal	NBR (FKM – MFQ – CR)	NBR (FKM – MFQ – CR)
10	Piston rod	42CrMo4 EN10083	AISI (4140)
11	Piston	S355 J2G3 EN 10025	ASTM A570 Gr. 50
12	Cylinder End flange	S355 J2G3 EN 10025	ASTM A570 Gr. 50
13	Travel stop screw	Class 45H ISO 4026	Class 45H ISO 4026
14	Plug	X5 CrNi 18 10	ASTM A276/276MTP304
15	Stop screw protection	X5 CrNi 18 10	ASTM A276/276MTP304
16	Tie rod	ASTM A320L7	ASTM A320L7
17	Cylinder tube	E355K2+N EN10297 – E355+N EN10305	ASTM A580 Grade C
18	Piston seal	NBR (FKM – MFQ – CR)	NBR (FKM – MFQ – CR)
19	Piston sliding guide	PTFE+Graphite	PTFE+Graphite
20	Yoke bushing	Carbon steel + Bronze + PTFE	Carbon steel + Bronze + PTFE
21	Guide block pin	42CrMo4 EN10083	AISI (4140)
22	Travel stop screw	Class 45H ISO 4026	Class 45H ISO 4026
23	Spring Cartridge tube	E355 EN 10297-10305	ASTM A500 Gr.C + ASTM A106 Gr.B
24	Spring cartridge load flange	S335 J2G3 EN 10025	ASTM A570 Gr. 50
25	Spring	EN 10270-2-FDSiCr	ASTM A-401
26	Spring cartridge rod bushing	Carbon steel + Bronze + PTFE	Carbon steel + Bronze + PTFE
27	Spring cartridge rod	42CrMo4 EN 10083	AISI (9840)
28	Travel stop screw	Class 45H ISO 4026	Class 45H ISO 4026

# OVERALL DIMENSIONS

## QT SPRING TO CLOSE



Model Size	A	B	C	D	E	F	G	H	I	L	M	Weight(Kg)
QTPS-010S/C-235-A1-CL	1667	976	691	342	96	75	255	32	105	150	383	260
QTPS-010S/C-235-A2-CL	1667	976	691	342	96	75	255	32	105	150	383	262
QTPS-010S/C-235-A3-CL	1667	976	691	342	96	75	255	32	105	150	383	265
QTPS-010S/C-235-A4-CL	1667	976	691	342	96	75	255	32	105	150	383	268
QTPS-010S/C-255-A1-CL	1669	976	693	342	96	75	275	42	105	150	393	270
QTPS-010S/C-255-A2-CL	1669	976	693	342	96	75	275	42	105	150	393	275
QTPS-010S/C-255-A3-CL	1669	976	693	342	96	75	275	42	105	150	393	290
QTPS-010S/C-255-A4-CL	1669	976	693	342	96	75	275	42	105	150	393	295
QTPS-010S/C-280-A1-CL	1667	976	691	342	96	75	300	54	105	150	405	275
QTPS-010S/C-280-A2-CL	1667	976	691	342	96	75	300	54	105	150	405	280
QTPS-010S/C-280-A3-CL	1667	976	691	342	96	75	300	54	105	150	405	285
QTPS-010S/C-280-A4-CL	1667	976	691	342	96	75	300	54	105	150	405	290
QTPS-010S/C-300-A1-CL	1671	976	695	342	96	75	330	69	105	150	420	295
QTPS-010S/C-300-A2-CL	1671	976	695	342	96	75	330	69	105	150	420	300
QTPS-010S/C-300-A3-CL	1671	976	695	342	96	75	330	69	105	150	420	300
QTPS-010S/C-300-A4-CL	1671	976	695	342	96	75	330	69	105	150	420	305
QTPS-010S/C-335-A1-CL	1747	1026	721	342	96	75	360	84	105	150	435	310
QTPS-010S/C-335-A2-CL	1747	1026	721	342	96	75	360	84	105	150	435	315
QTPS-010S/C-335-A3-CL	1747	1026	721	342	96	75	360	84	105	150	435	315
QTPS-010S/C-335-A4-CL	1747	1026	721	342	96	75	360	84	105	150	435	320



# OVERALL DIMENSIONS

## QT SPRING TO CLOSE

Model Size	A	B	C	D	E	F	G	H	I	L	M	Weight(Kg)
QTPS-010S/C-360-A1-CL	1674	976	698	342	96	75	460	134	105	150	485	330
QTPS-010S/C-360-A2-CL	1707	985	722	342	96	75	460	134	105	150	485	335
QTPS-010S/C-360-A3-CL	1707	985	722	342	96	75	460	134	105	150	485	338
QTPS-010S/C-360-A4-CL	1674	976	698	342	96	75	460	134	105	150	485	340
QTPS-010S/C-385-A1-CL	1674	976	698	342	96	75	460	134	105	150	485	345
QTPS-010S/C-385-A2-CL	1674	976	698	342	96	75	460	134	105	150	485	350
QTPS-010S/C-385-A3-CL	1674	976	698	342	96	75	460	134	105	150	485	350
QTPS-010S/C-385-A4-CL	1674	976	698	342	96	75	460	134	105	150	485	355
QTPS-016S/C-280-B1-CL	1972	1176	796	413	111	96	300	39	135	176	461	360
QTPS-016S/C-280-B2-CL	1972	1176	796	413	111	96	300	39	135	176	461	362
QTPS-016S/C-280-B3-CL	1972	1176	796	413	111	96	300	39	135	176	461	365
QTPS-016S/C-300-B1-CL	1973	1176	797	413	111	96	330	54	135	176	476	375
QTPS-016S/C-300-B2-CL	1973	1176	797	413	111	96	330	54	135	176	476	378
QTPS-016S/C-300-B3-CL	1973	1176	797	413	111	96	330	54	135	176	476	380
QTPS-016S/C-335-B1-CL	1973	1176	797	413	111	96	360	69	135	176	491	390
QTPS-016S/C-335-B2-CL	1973	1176	797	413	111	96	360	69	135	176	491	395
QTPS-016S/C-335-B3-CL	1973	1176	797	413	111	96	360	69	135	176	491	400
QTPS-016S/C-385-B1-CL	1978	1176	802	413	111	96	460	119	135	176	541	435
QTPS-016S/C-385-B2-CL	1978	1176	802	413	111	96	460	119	135	176	541	460
QTPS-016S/C-385-B3-CL	1978	1176	802	413	111	96	460	119	135	176	541	465
QTPS-016S/C-435-B1-CL	1980	1176	804	413	111	96	510	144	135	176	566	470
QTPS-016S/C-435-B2-CL	1980	1176	804	413	111	96	510	144	135	176	566	500
QTPS-016S/C-435-B3-CL	1980	1176	804	431	111	105	510	144	135	176	566	510
QTPS-016S/C-485-B1-CL	2018	1176	843	413	111	96	570	174	135	176	596	535
QTPS-016S/C-485-B2-CL	2018	1176	843	413	111	96	570	174	135	176	596	565
QTPS-016S/C-485-B3-CL	2018	1176	843	431	111	105	570	174	135	176	596	645
QTPS-030S/C-335-C0-CL	2659	1568	1091	506	130	123	364	52	180	208	570	835
QTPS-030S/C-335-C1-CL	2659	1568	1091	506	130	123	364	52	180	208	570	840
QTPS-030S/C-335-C2-CL	2659	1568	1091	506	130	123	364	52	180	208	570	840
QTPS-030S/C-335-C3-CL	2659	1568	1091	506	130	123	364	52	180	208	570	750
QTPS-030S/C-385-C0-CL	2659	1568	1091	506	130	123	460	100	180	208	618	840
QTPS-030S/C-385-C1-CL	2659	1568	1091	506	130	123	460	100	180	208	618	840
QTPS-030S/C-385-C2-CL	2659	1568	1091	506	130	123	460	100	180	208	618	840
QTPS-030S/C-385-C3-CL	2659	1568	1091	506	130	123	460	100	180	208	618	840
QTPS-030S/C-435-C0-CL	2653	1568	1085	506	130	123	510	125	180	208	643	840
QTPS-030S/C-435-C1-CL	2653	1568	1085	506	130	123	510	125	180	208	643	840
QTPS-030S/C-435-C2-CL	2653	1568	1085	506	130	123	510	125	180	208	643	840
QTPS-030S/C-435-C3-CL	2653	1568	1085	506	130	123	510	125	180	208	643	840
QTPS-030S/C-485-C0-CL	2734	1568	1166	506	130	123	570	155	180	208	673	900
QTPS-030S/C-485-C1-CL	2734	1568	1166	506	130	123	570	155	180	208	673	900
QTPS-030S/C-485-C2-CL	2734	1568	1166	506	130	123	570	155	180	208	673	900
QTPS-030S/C-485-C3-CL	2734	1568	1166	506	130	123	570	155	180	208	673	900
QTPS-030S/C-535-C0-CL	2741	1568	1173	506	130	123	630	185	180	208	703	955
QTPS-030S/C-535-C1-CL	2741	1568	1173	506	130	123	630	185	180	208	703	955
QTPS-030S/C-535-C2-CL	2741	1568	1173	506	130	123	630	185	180	208	703	960
QTPS-030S/C-535-C3-CL	2741	1568	1173	506	130	123	630	185	180	208	703	975
QTPS-060S/C-485-D0-CL	3334	2017	1317	569	163	122	570	122	205	260	750	1580
QTPS-060S/C-485-D1-CL	3334	2017	1317	569	163	122	570	122	205	260	750	1580
QTPS-060S/C-485-D2-CL	3337	2020	1317	569	163	122	570	122	205	260	750	1580
QTPS-060S/C-485-D3-CL	3336	2020	1317	569	163	122	570	122	205	260	750	1580

# OVERALL DIMENSIONS

## QT SPRING TO CLOSE

Model Size	A	B	C	D	E	F	G	H	I	L	M	Weight(Kg)
QTPS-060S/C-535-D0-CL	3285	1965	1320	569	163	122	630	152	205	260	780	1650
QTPS-060S/C-535-D1-CL	3285	1965	1320	569	163	122	630	152	205	260	780	1650
QTPS-060S/C-535-D2-CL	3288	1968	1320	569	163	122	630	152	205	260	780	1660
QTPS-060S/C-535-D3-CL	3288	1968	1320	569	163	122	630	152	205	260	780	1700
QTPS-060S/C-565-D0-CL	3322	1964	1358	569	163	122	690	182	205	260	810	1750
QTPS-060S/C-565-D1-CL	3322	1964	1358	569	163	122	690	182	205	260	810	1770
QTPS-060S/C-565-D2-CL	3322	1964	1358	569	163	122	690	182	205	260	810	1820
QTPS-060S/C-565-D3-CL	3327	1968	1359	569	163	122	690	182	205	260	810	1820
QTPS-060S/C-585-D0-CL	3330	1996	1334	569	163	122	690	182	205	260	810	1910
QTPS-060S/C-585-D1-CL	3332	1998	1334	569	163	122	690	182	205	260	810	1920
QTPS-060S/C-585-D2-CL	3367	2033	1334	569	163	122	690	182	205	260	810	1920
QTPS-060S/C-585-D3-CL	3380	2046	1334	569	163	122	690	182	205	260	810	1925
QTPS-060S/C-635-D0-CL	3354	1965	1389	569	163	122	750	212	205	260	840	2110
QTPS-060S/C-635-D1-CL	3354	1965	1389	569	163	122	750	212	205	260	840	2110
QTPS-060S/C-635-D2-CL	3357	1968	1389	569	163	122	750	212	205	260	840	2150
QTPS-060S/C-635-D3-CL	3357	1968	1389	569	163	122	750	212	205	260	840	2150
QTPS-060S/C-685-D0-CL	3410	2004	1406	569	163	122	790	232	205	260	860	2200
QTPS-060S/C-685-D1-CL	3412	2006	1406	569	163	122	790	232	205	260	860	2200
QTPS-060S/C-685-D2-CL	3415	2009	1406	569	163	122	790	232	205	260	860	2200
QTPS-060S/C-685-D3-CL	3420	2014	1406	569	163	122	790	232	205	260	860	2210
QTPS-060S/C-735-D0-CL	3480	2065	1415	569	163	122	840	257	205	260	885	2250
QTPS-060S/C-735-D1-CL	3485	2070	1415	569	163	122	840	257	205	260	885	2275
QTPS-060S/C-735-D2-CL	3490	2075	1415	569	163	122	840	257	205	260	885	2310
QTPS-060S/C-735-D3-CL	3492	2077	1415	569	163	122	840	257	205	260	885	2350
QTPS-120S/C-585-E1-CL	3710	2224	1486	654	204	123	690	141	230	280	855	2480
QTPS-120S/C-585-E2-CL	3712	2226	1486	654	204	123	690	141	230	280	855	2480
QTPS-120S/C-585-E3-CL	3718	2232	1486	654	204	123	690	141	230	280	855	2490
QTPS-120S/C-585-E4-CL	3720	2234	1486	654	204	123	690	141	230	280	855	2500
QTPS-120S/C-635-E1-CL	3790	2300	1490	654	204	123	750	171	230	280	885	2540
QTPS-120S/C-635-E2-CL	3790	2300	1490	654	204	123	750	171	230	280	885	2600
QTPS-120S/C-635-E3-CL	3790	2300	1490	654	204	123	750	171	230	280	885	2650
QTPS-120S/C-635-E4-CL	3790	2300	1490	654	204	123	750	171	230	280	885	2720
QTPS-120S/C-685-E1-CL	3794	2300	1494	654	204	123	790	191	230	280	905	2650
QTPS-120S/C-685-E2-CL	3794	2300	1494	654	204	123	790	191	230	280	905	2650
QTPS-120S/C-685-E3-CL	3794	2300	1494	654	204	123	790	191	230	280	905	2800
QTPS-120S/C-685-E4-CL	3794	2300	1494	654	204	123	790	191	230	280	905	2800
QTPS-120S/C-735-E1-CL	3803	2300	1503	654	204	123	840	216	230	280	930	2800
QTPS-120S/C-735-E2-CL	3803	2300	1503	654	204	123	840	216	230	280	930	2850
QTPS-120S/C-735-E3-CL	3803	2300	1503	654	204	123	840	216	230	280	930	2900
QTPS-120S/C-735-E4-CL	3803	2300	1503	654	204	123	840	216	230	280	930	2980
QTPS-120S/C-785-E1-CL	3810	2302	1508	654	204	123	870	231	230	280	945	3120
QTPS-120S/C-785-E2-CL	3812	2304	1508	654	204	123	870	231	230	280	945	3150
QTPS-120S/C-785-E3-CL	3815	2307	1508	654	204	123	870	231	230	280	945	3180
QTPS-120S/C-785-E4-CL	3816	2308	1508	654	204	123	870	231	230	280	945	3195
QTPS-120S/C-835-E1-CL	3825	2300	1525	654	204	123	900	246	230	280	960	3310
QTPS-120S/C-835-E2-CL	3826	2300	1526	654	204	123	900	246	230	280	960	3312
QTPS-120S/C-835-E3-CL	3828	2300	1528	654	204	123	900	246	230	280	960	3315
QTPS-120S/C-835-E4-CL	3830	2300	1530	654	204	123	900	246	230	280	960	3317
QTPS-120S/C-885-E1-CL	3880	2354	1526	654	204	123	930	261	230	280	975	3510
QTPS-120S/C-885-E2-CL	3885	2359	1526	654	204	123	930	261	230	280	975	3512

# OVERALL DIMENSIONS

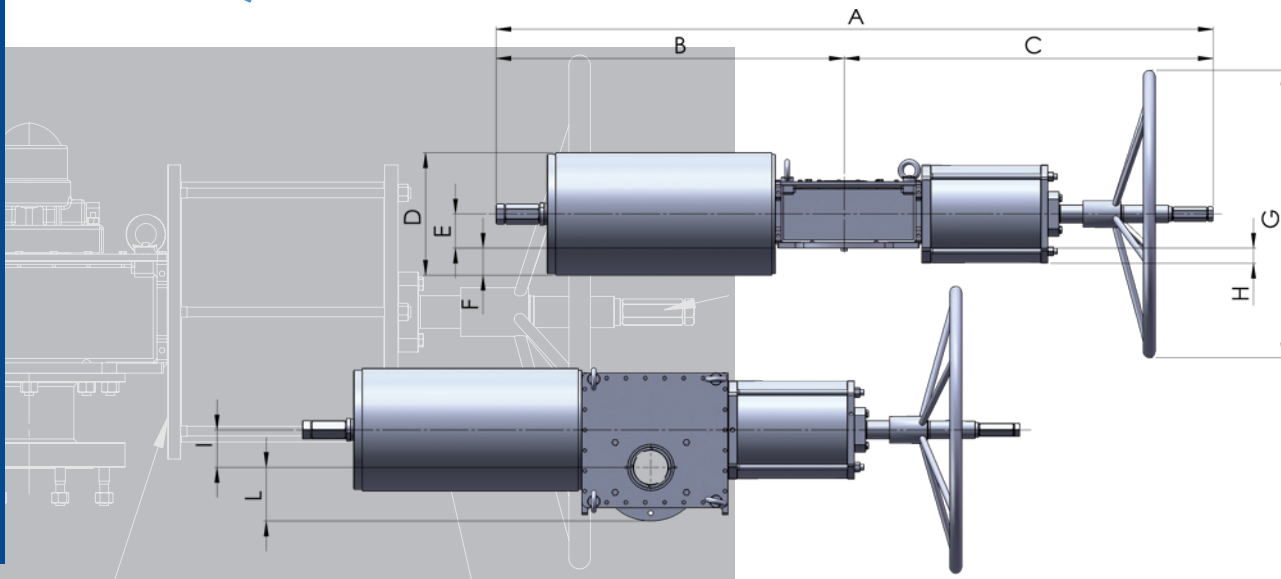
## QT SPRING TO CLOSE

Model Size	A	B	C	D	E	F	G	H	I	L	M	Weight(Kg)
QTPS-120S/C-885-E3-CL	3888	2362	1526	654	204	123	930	261	230	280	975	3516
QTPS-120S/C-885-E4-CL	3892	2366	1526	654	204	123	930	261	230	280	975	3518
QTPS-120S/C-935-E1-CL	3920	2386	1534	654	204	123	1000	296	230	280	1010	3680
QTPS-120S/C-935-E2-CL	3925	2391	1534	654	204	123	1000	296	230	280	1010	3685
QTPS-120S/C-935-E3-CL	3929	2395	1534	654	204	123	1000	296	230	280	1010	3690
QTPS-120S/C-935-E4-CL	3934	2400	1534	654	204	123	1000	296	230	280	1010	3695
QTPS-180S/C-685-F1-CL	4178	2544	1634	745	217	156	790	178	255	350	1000	3920
QTPS-180S/C-685-F2-CL	4180	2546	1634	745	217	156	790	178	255	350	1000	3930
QTPS-180S/C-685-F3-CL	4185	2551	1634	745	217	156	790	178	255	350	1000	3935
QTPS-180S/C-685-F4-CL	4187	2553	1634	745	217	156	790	178	255	350	1000	3950
QTPS-180S/C-735-F1-CL	4200	2556	1644	745	217	156	840	203	255	350	1025	4000
QTPS-180S/C-735-F2-CL	4203	2559	1644	745	217	156	840	203	255	350	1025	4020
QTPS-180S/C-735-F3-CL	4205	2561	1644	745	217	156	840	203	255	350	1025	4030
QTPS-180S/C-735-F4-CL	4210	2566	1644	745	217	156	840	203	255	350	1025	4035
QTPS-180S/C-785-F1-CL	4226	2572	1654	745	217	156	870	218	255	350	1040	4100
QTPS-180S/C-785-F2-CL	4229	2575	1654	745	217	156	870	218	255	350	1040	4120
QTPS-180S/C-785-F3-CL	4229	2575	1654	745	217	156	870	218	255	350	1040	4125
QTPS-180S/C-785-F4-CL	4232	2578	1654	745	217	156	870	218	255	350	1040	4150
QTPS-180S/C-835-F1-CL	4248	2588	1660	745	217	156	900	233	255	350	1055	4260
QTPS-180S/C-835-F2-CL	4250	2590	1660	745	217	156	900	233	255	350	1055	4270
QTPS-180S/C-835-F3-CL	4254	2594	1660	745	217	156	900	233	255	350	1055	4280
QTPS-180S/C-835-F4-CL	4256	2596	1660	745	217	156	900	233	255	350	1055	4295
QTPS-180S/C-885-F1-CL	4268	2604	1664	745	217	156	930	248	255	350	1070	4305
QTPS-180S/C-885-F2-CL	4270	2606	1664	745	217	156	930	248	255	350	1070	4310
QTPS-180S/C-885-F3-CL	4275	2611	1664	745	217	156	930	248	255	350	1070	4315
QTPS-180S/C-885-F4-CL	4280	2616	1664	745	217	156	930	248	255	350	1070	4320
QTPS-180S/C-935-F1-CL	4306	2642	1664	745	217	156	1065	316	255	350	1138	4402
QTPS-180S/C-935-F2-CL	4308	2644	1664	745	217	156	1065	316	255	350	1138	4410
QTPS-180S/C-935-F3-CL	4308	2644	1664	745	217	156	1065	316	255	350	1138	4415
QTPS-180S/C-935-F4-CL	4310	2646	1664	745	217	156	1065	316	255	350	1138	4430
QTPS-180S/C-1000-F1-CL	4320	2646	1674	745	217	156	1120	343	255	350	1165	4505
QTPS-180S/C-1000-F2-CL	4322	2648	1674	745	217	156	1120	343	255	350	1165	4520
QTPS-180S/C-1000-F3-CL	4328	2654	1674	745	217	156	1120	343	255	350	1165	4535
QTPS-180S/C-1000-F4-CL	4332	2658	1674	745	217	156	1120	343	255	350	1165	4540
QTPS-180S/C-1050-F1-CL	4350	2671	1679	745	217	156	1180	373	255	350	1195	4600
QTPS-180S/C-1050-F2-CL	4354	2675	1679	745	217	156	1180	373	255	350	1195	4650
QTPS-180S/C-1050-F3-CL	4359	2680	1679	745	217	156	1180	373	255	350	1195	4680
QTPS-180S/C-1050-F4-CL	4365	2686	1679	745	217	156	1180	373	255	350	1195	4710



# OVERALL DIMENSIONS

## QT SPRING TO CLOSE WITH MECHANICAL MANUAL OVERRIDE-MO



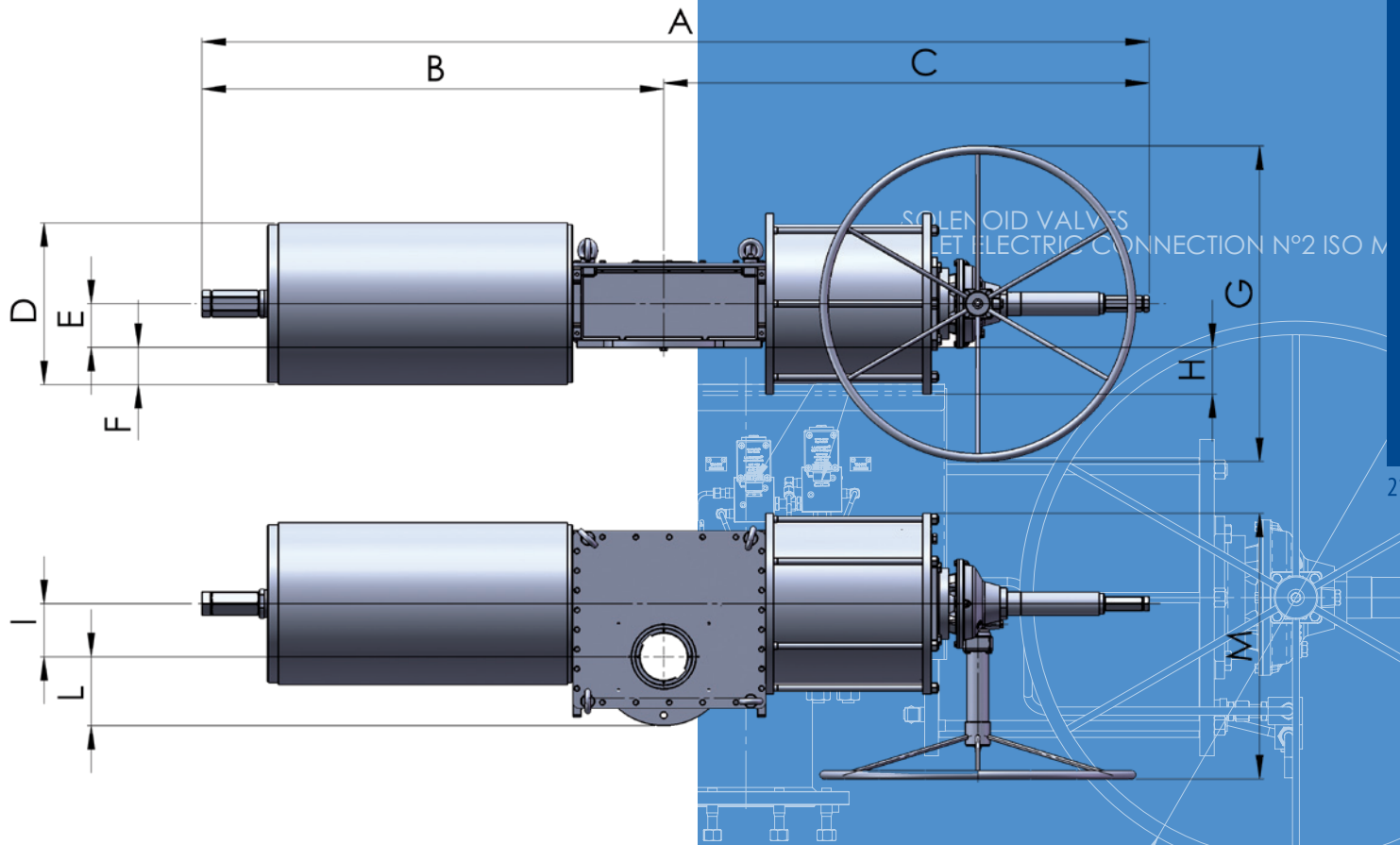
20

ION 1/2" NPT

Model Size	A	B	C	D	E	F	G	H	I	L	Weight(Kg)
QTPS-010S/C-235-A1-CL-MO	2006	976	1030	342	96	75	800	32	105	150	265
QTPS-010S/C-235-A2-CL-MO	2006	976	1030	342	96	75	800	32	105	150	266
QTPS-010S/C-235-A3-CL-MO	2007	976	1031	342	96	75	800	32	105	150	268
QTPS-010S/C-235-A4-CL-MO	2007	976	1031	342	96	75	800	32	105	150	270
QTPS-010S/C-255-A1-CL-MO	2008	976	1032	342	96	75	800	42	105	150	279
QTPS-010S/C-255-A2-CL-MO	2008	976	1032	342	96	75	800	42	105	150	279
QTPS-010S/C-255-A3-CL-MO	2010	976	1034	342	96	75	800	42	105	150	291
QTPS-010S/C-255-A4-CL-MO	2012	976	1036	342	96	75	800	42	105	150	296
QTPS-010S/C-280-A1-CL-MO	2007	976	1031	342	96	75	800	54	105	150	285
QTPS-010S/C-280-A2-CL-MO	2007	976	1031	342	96	75	800	54	105	150	292
QTPS-010S/C-280-A3-CL-MO	2008	976	1032	342	96	75	800	54	105	150	295
QTPS-010S/C-280-A4-CL-MO	2008	976	1032	342	96	75	800	54	105	150	299
QTPS-010S/C-300-A1-CL-MO	2012	976	1036	342	96	75	800	69	105	150	310
QTPS-010S/C-300-A2-CL-MO	2012	976	1036	342	96	75	800	69	105	150	312
QTPS-010S/C-300-A3-CL-MO	2014	976	1038	342	96	75	800	69	105	150	313
QTPS-010S/C-300-A4-CL-MO	2015	976	1039	342	96	75	800	69	105	150	315
QTPS-010S/C-335-A1-CL-MO	2017	976	1041	342	96	75	800	84	105	150	326
QTPS-010S/C-335-A2-CL-MO	2017	976	1041	342	96	75	800	84	105	150	327
QTPS-010S/C-335-A3-CL-MO	2018	976	1042	342	96	75	800	84	105	150	335
QTPS-010S/C-335-A4-CL-MO	2018	976	1042	342	96	75	800	84	105	150	336
QTPS-010S/C-360-A1-CL-MO	2016	976	1040	342	96	75	800	134	105	150	350
QTPS-010S/C-360-A2-CL-MO	2016	985	1031	342	96	75	800	134	105	150	350
QTPS-010S/C-360-A3-CL-MO	2017	985	1032	342	96	75	800	134	105	150	355
QTPS-010S/C-360-A4-CL-MO	2017	976	1041	342	96	75	800	134	105	150	358
QTPS-010S/C-385-A1-CL-MO	2016	976	1040	342	96	75	800	134	105	150	360
QTPS-010S/C-385-A2-CL-MO	2016	976	1040	342	96	75	800	134	105	150	360
QTPS-010S/C-385-A3-CL-MO	2017	976	1041	342	96	75	800	134	105	150	362
QTPS-010S/C-385-A4-CL-MO	2017	976	1041	342	96	75	800	134	105	150	365
QTPS-016S/C-280-B1-CL-MO	2402	1176	1226	413	111	96	800	39	135	176	385
QTPS-016S/C-280-B2-CL-MO	2403	1176	1227	413	111	96	800	39	135	176	385
QTPS-016S/C-280-B3-CL-MO	2406	1176	1230	413	111	96	800	39	135	176	385
QTPS-016S/C-300-B1-CL-MO	2408	1176	1232	413	111	96	800	54	135	176	390
QTPS-016S/C-300-B2-CL-MO	2408	1176	1232	413	111	96	800	54	135	176	390
QTPS-016S/C-300-B3-CL-MO	2408	1176	1232	413	111	96	800	54	135	176	390
QTPS-016S/C-335-B1-CL-MO	2411	1176	1235	413	111	96	800	69	135	176	395
QTPS-016S/C-335-B2-CL-MO	2411	1176	1235	413	111	96	800	69	135	176	396
QTPS-016S/C-335-B3-CL-MO	2413	1176	1237	413	111	96	800	69	135	176	402

# OVERALL DIMENSIONS

## QT SPRING TO CLOSE WITH MECHANICAL MANUAL OVERRIDE-MO



Model Size	A	B	C	D	E	F	G	H	I	L	M	Weight(Kg)
QTPS-016S/C-385-B1-CL-MO	2413	1176	1237	413	111	96	800	119	135	176	676	472
QTPS-016S/C-385-B2-CL-MO	2413	1176	1237	413	111	96	800	119	135	176	676	475
QTPS-016S/C-385-B3-CL-MO	2415	1176	1239	413	111	96	800	119	135	176	676	475
QTPS-016S/C-435-B1-CL-MO	2413	1176	1237	413	111	96	800	144	135	176	700	515
QTPS-016S/C-435-B2-CL-MO	2413	1176	1237	413	111	96	800	144	135	176	700	519
QTPS-016S/C-435-B3-CL-MO	2415	1176	1239	431	111	105	800	144	135	176	700	524
QTPS-016S/C-485-B1-CL-MO	2414	1176	1238	413	111	96	800	174	135	176	730	630
QTPS-016S/C-485-B2-CL-MO	2414	1176	1238	413	111	96	800	174	135	176	730	638
QTPS-016S/C-485-B3-CL-MO	2415	1176	1239	431	111	105	800	174	135	176	730	650
QTPS-030S/C-335-C0-CL-MO	3314	1568	1746	506	130	123	1000	52	180	208	710	850
QTPS-030S/C-335-C1-CL-MO	3314	1568	1746	506	130	123	1000	52	180	208	710	850
QTPS-030S/C-335-C2-CL-MO	3315	1568	1747	506	130	123	1000	52	180	208	710	855
QTPS-030S/C-335-C3-CL-MO	3315	1568	1747	506	130	123	1000	52	180	208	710	855
QTPS-030S/C-385-C0-CL-MO	3318	1568	1750	506	130	123	1000	100	180	208	730	860
QTPS-030S/C-385-C1-CL-MO	3318	1568	1750	506	130	123	1000	100	180	208	730	860
QTPS-030S/C-385-C2-CL-MO	3319	1568	1751	506	130	123	1000	100	180	208	730	865
QTPS-030S/C-385-C3-CL-MO	3320	1568	1752	506	130	123	1000	100	180	208	730	865
QTPS-030S/C-435-C0-CL-MO	3328	1568	1760	506	130	123	1000	125	180	208	764	880
QTPS-030S/C-435-C1-CL-MO	3328	1568	1760	506	130	123	1000	125	180	208	764	880
QTPS-030S/C-435-C2-CL-MO	3330	1568	1762	506	130	123	1000	125	180	208	764	884

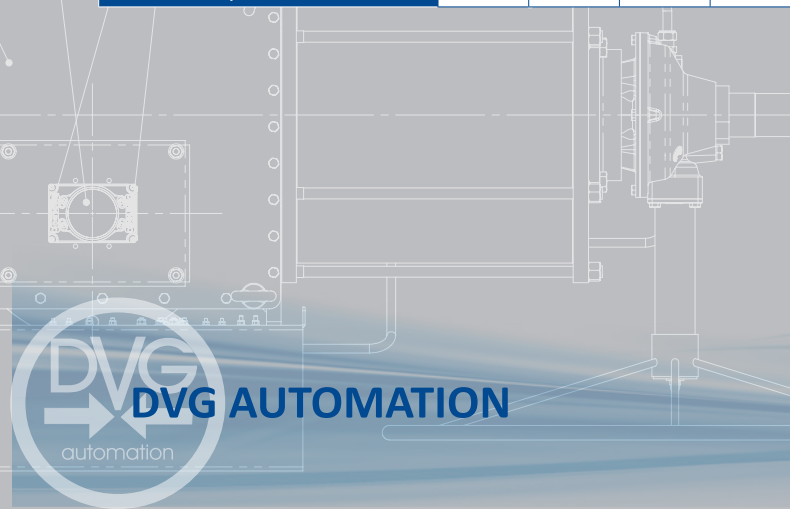
# OVERALL DIMENSIONS

## QT SPRING TO CLOSE WITH MECHANICAL MANUAL OVERRIDE-MO

Model Size	A	B	C	D	E	F	G	H	I	L	M	Weight(Kg)
QTPS-030S/C-435-C3-CL-MO	3332	1568	1764	506	130	123	1000	125	180	208	764	884
QTPS-030S/C-485-C0-CL-MO	3330	1568	1762	506	130	123	1000	155	180	208	793	916
QTPS-030S/C-485-C1-CL-MO	3330	1568	1762	506	130	123	1000	155	180	208	793	918
QTPS-030S/C-485-C2-CL-MO	3335	1568	1767	506	130	123	1000	155	180	208	793	925
QTPS-030S/C-485-C3-CL-MO	3340	1568	1772	506	130	123	1000	155	180	208	793	930
QTPS-030S/C-535-C0-CL-MO	3345	1568	1777	506	130	123	1000	185	180	208	820	980
QTPS-030S/C-535-C1-CL-MO	3348	1568	1780	506	130	123	1000	185	180	208	820	980
QTPS-030S/C-535-C2-CL-MO	3350	1568	1782	506	130	123	1000	185	180	208	820	990
QTPS-030S/C-535-C3-CL-MO	3350	1568	1782	506	130	123	1000	185	180	208	820	990
QTPS-060S/C-485-D0-CL-MO	4034	2017	2017	569	163	122	1000	122	205	260	860	1700
QTPS-060S/C-485-D1-CL-MO	4034	2017	2017	569	163	122	1000	122	205	260	860	1700
QTPS-060S/C-485-D2-CL-MO	4037	2020	2017	569	163	122	1000	122	205	260	860	1720
QTPS-060S/C-485-D3-CL-MO	4036	2020	2016	569	163	122	1000	122	205	260	860	1720
QTPS-060S/C-535-D0-CL-MO	3985	1965	2020	569	163	122	1000	152	205	260	860	1750
QTPS-060S/C-535-D1-CL-MO	3985	1965	2020	569	163	122	1000	152	205	260	860	1750
QTPS-060S/C-535-D2-CL-MO	3988	1968	2020	569	163	122	1000	152	205	260	860	1760
QTPS-060S/C-535-D3-CL-MO	3988	1968	2020	569	163	122	1000	152	205	260	860	1780
QTPS-060S/C-565-D0-CL-MO	4022	1964	2058	569	163	122	1000	182	205	260	860	1900
QTPS-060S/C-565-D1-CL-MO	4022	1964	2058	569	163	122	1000	182	205	260	860	1900
QTPS-060S/C-565-D2-CL-MO	4022	1964	2058	569	163	122	1000	182	205	260	860	1950
QTPS-060S/C-565-D3-CL-MO	4027	1968	2059	569	163	122	1000	182	205	260	860	1950
QTPS-060S/C-585-D0-CL-MO	4030	1996	2034	569	163	122	1000	182	205	260	860	1990
QTPS-060S/C-585-D1-CL-MO	4032	1998	2034	569	163	122	1000	182	205	260	860	2000
QTPS-060S/C-585-D2-CL-MO	4067	2033	2034	569	163	122	1000	182	205	260	860	2000
QTPS-060S/C-585-D3-CL-MO	4080	2046	2034	569	163	122	1000	182	205	260	860	2005
QTPS-060S/C-635-D0-CL-MO	4054	1965	2089	569	163	122	1000	212	205	260	860	2100
QTPS-060S/C-635-D1-CL-MO	4054	1965	2089	569	163	122	1000	212	205	260	860	2100
QTPS-060S/C-635-D2-CL-MO	4057	1968	2089	569	163	122	1000	212	205	260	860	2100
QTPS-060S/C-635-D3-CL-MO	4057	1968	2089	569	163	122	1000	212	205	260	860	2100
QTPS-060S/C-685-D0-CL-MO	4110	2004	2106	569	163	122	1000	232	205	260	860	2150
QTPS-060S/C-685-D1-CL-MO	4112	2006	2106	569	163	122	1000	232	205	260	860	2150
QTPS-060S/C-685-D2-CL-MO	4115	2009	2106	569	163	122	1000	232	205	260	860	2180
QTPS-060S/C-685-D3-CL-MO	4120	2014	2106	569	163	122	1000	232	205	260	860	2205
QTPS-060S/C-735-D0-CL-MO	4180	2065	2115	569	163	122	1000	257	205	260	860	2330
QTPS-060S/C-735-D1-CL-MO	4185	2070	2115	569	163	122	1000	257	205	260	860	2355
QTPS-060S/C-735-D2-CL-MO	4190	2075	2115	569	163	122	1000	257	205	260	860	2390
QTPS-060S/C-735-D3-CL-MO	4192	2077	2115	569	163	122	1000	257	205	260	860	2430

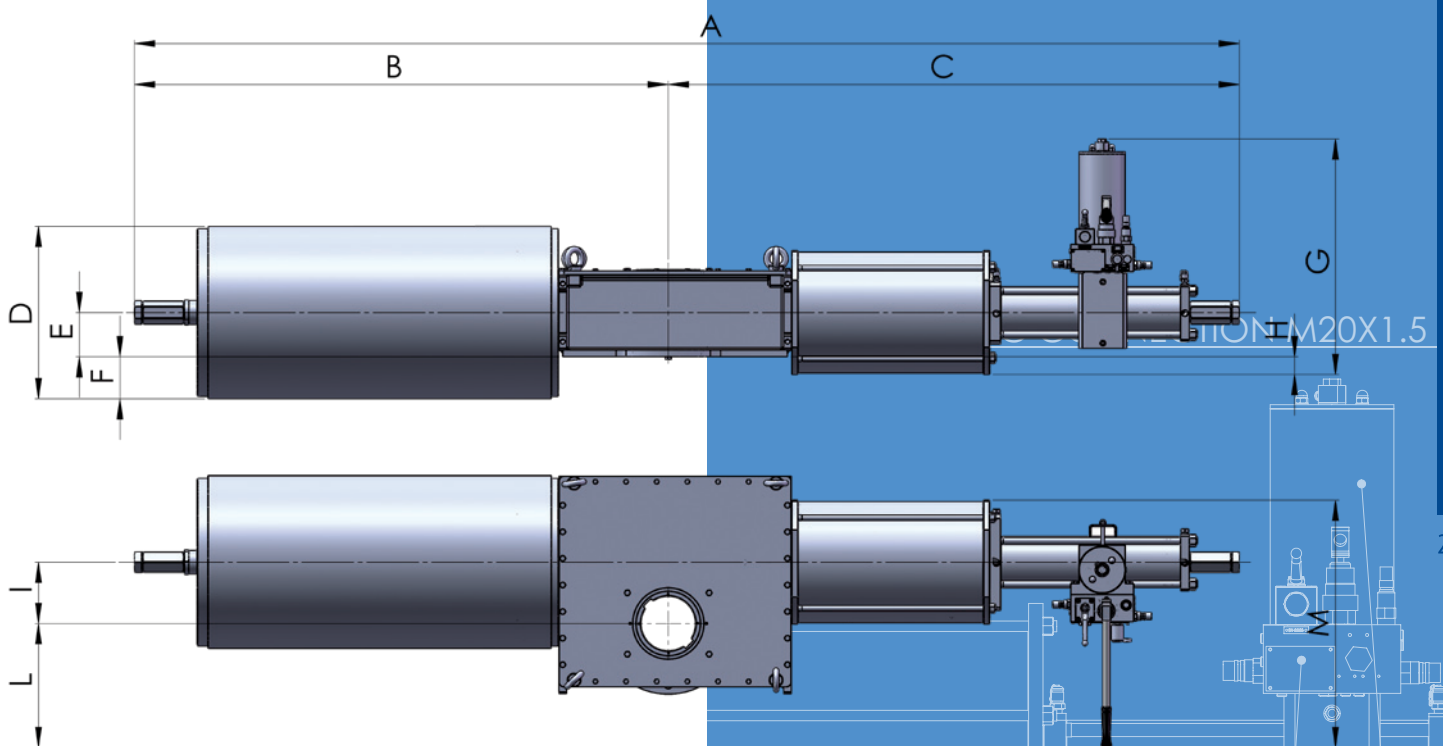
22

2



# OVERALL DIMENSIONS

## QT SPRING TO CLOSE WITH HYDRAULIC MANUAL OVERRIDE-MH



Model Size	A	B	C	D	E	F	G	H	I	L	M	Weight(Kg)
QTPS-010S/C-235-A1-CL-MH	1978	976	1002	342	96	75	593	32	105	433	666	310
QTPS-010S/C-235-A2-CL-MH	1978	976	1002	342	96	75	593	32	105	433	666	312
QTPS-010S/C-235-A3-CL-MH	1978	976	1002	342	96	75	593	32	105	433	666	315
QTPS-010S/C-235-A4-CL-MH	1978	976	1002	342	96	75	593	32	105	433	666	318
QTPS-010S/C-255-A1-CL-MH	1980	976	1004	342	96	75	603	42	105	433	676	320
QTPS-010S/C-255-A2-CL-MH	1980	976	1004	342	96	75	603	42	105	433	676	325
QTPS-010S/C-255-A3-CL-MH	1980	976	1004	342	96	75	603	42	105	433	676	340
QTPS-010S/C-255-A4-CL-MH	1980	976	1004	342	96	75	603	42	105	433	676	345
QTPS-010S/C-280-A1-CL-MH	1978	976	1002	342	96	75	615	54	105	433	688	325
QTPS-010S/C-280-A2-CL-MH	1978	976	1002	342	96	75	615	54	105	433	688	330
QTPS-010S/C-280-A3-CL-MH	1978	976	1002	342	96	75	615	54	105	433	688	335
QTPS-010S/C-280-A4-CL-MH	1978	976	1002	342	96	75	615	54	105	433	688	340
QTPS-010S/C-300-A1-CL-MH	1982	976	1006	342	96	75	630	69	105	433	703	345
QTPS-010S/C-300-A2-CL-MH	1982	976	1006	342	96	75	630	69	105	433	703	350
QTPS-010S/C-300-A3-CL-MH	1982	976	1006	342	96	75	630	69	105	433	703	350
QTPS-010S/C-300-A4-CL-MH	1982	976	1006	342	96	75	630	69	105	433	703	355
QTPS-010S/C-335-A1-CL-MH	2058	976	1082	342	96	75	645	84	105	433	718	360
QTPS-010S/C-335-A2-CL-MH	2058	976	1082	342	96	75	645	84	105	433	718	365
QTPS-010S/C-335-A3-CL-MH	2058	976	1082	342	96	75	645	84	105	433	718	365
QTPS-010S/C-335-A4-CL-MH	2058	976	1082	342	96	75	645	84	105	433	718	370

# OVERALL DIMENSIONS

## QT SPRING TO CLOSE WITH HYDRAULIC MANUAL OVERRIDE-MH

Model Size	A	B	C	D	E	F	G	H	I	L	M	Weight(Kg)
QTPS-010S/C-360-A1-CL-MH	1985	976	1009	342	96	75	695	134	105	433	768	410
QTPS-010S/C-360-A2-CL-MH	2018	985	1033	342	96	75	695	134	105	433	768	415
QTPS-010S/C-360-A3-CL-MH	2018	985	1033	342	96	75	695	134	105	433	768	410
QTPS-010S/C-360-A4-CL-MH	1985	976	1009	342	96	75	695	134	105	433	768	410
QTPS-010S/C-385-A1-CL-MH	1985	976	1009	342	96	75	695	134	105	433	768	395
QTPS-010S/C-385-A2-CL-MH	1985	976	1009	342	96	75	695	134	105	433	768	400
QTPS-010S/C-385-A3-CL-MH	1985	976	1009	342	96	75	695	134	105	433	768	400
QTPS-010S/C-385-A4-CL-MH	1985	976	1009	342	96	75	695	134	105	433	768	405
QTPS-016S/C-280-B1-CL-MH	2283	1176	1107	413	111	96	636	39	135	424	709	420
QTPS-016S/C-280-B2-CL-MH	2283	1176	1107	413	111	96	636	39	135	424	709	422
QTPS-016S/C-280-B3-CL-MH	2283	1176	1107	413	111	96	636	39	135	424	709	425
QTPS-016S/C-300-B1-CL-MH	2284	1176	1108	413	111	96	651	54	135	424	724	435
QTPS-016S/C-300-B2-CL-MH	2284	1176	1108	413	111	96	651	54	135	424	724	438
QTPS-016S/C-300-B3-CL-MH	2284	1176	1108	413	111	96	651	54	135	424	724	440
QTPS-016S/C-335-B1-CL-MH	2284	1176	1108	413	111	96	666	69	135	424	739	450
QTPS-016S/C-335-B2-CL-MH	2284	1176	1108	413	111	96	666	69	135	424	739	455
QTPS-016S/C-335-B3-CL-MH	2284	1176	1108	413	111	96	666	69	135	424	739	460
QTPS-016S/C-385-B1-CL-MH	2289	1176	1113	413	111	96	716	119	135	424	789	495
QTPS-016S/C-385-B2-CL-MH	2289	1176	1113	413	111	96	716	119	135	424	789	520
QTPS-016S/C-385-B3-CL-MH	2289	1176	1113	413	111	96	716	119	135	424	789	525
QTPS-016S/C-435-B1-CL-MH	2291	1176	1115	413	111	96	741	144	135	424	814	530
QTPS-016S/C-435-B2-CL-MH	2291	1176	1115	413	111	96	741	144	135	424	814	560
QTPS-016S/C-435-B3-CL-MH	2291	1176	1115	431	111	105	741	144	135	424	814	640
QTPS-016S/C-485-B1-CL-MH	2329	1176	1153	413	111	96	771	174	135	424	844	595
QTPS-016S/C-485-B2-CL-MH	2329	1176	1153	413	111	96	771	174	135	424	844	625
QTPS-016S/C-485-B3-CL-MH	2329	1176	1153	431	111	105	771	174	135	424	844	705
QTPS-030S/C-335-C0-CL-MH	3245	1568	1677	506	130	123	668	52	180	379	741	895
QTPS-030S/C-335-C1-CL-MH	3245	1568	1677	506	130	123	668	52	180	379	741	900
QTPS-030S/C-335-C2-CL-MH	3245	1568	1677	506	130	123	668	52	180	379	741	900
QTPS-030S/C-335-C3-CL-MH	3248	1568	1680	506	130	123	668	52	180	379	741	810
QTPS-030S/C-385-C0-CL-MH	3250	1568	1682	506	130	123	716	100	180	379	789	900
QTPS-030S/C-385-C1-CL-MH	3250	1568	1682	506	130	123	716	100	180	379	789	900
QTPS-030S/C-385-C2-CL-MH	3252	1568	1684	506	130	123	716	100	180	379	789	900
QTPS-030S/C-385-C3-CL-MH	3252	1568	1684	506	130	123	716	100	180	379	789	900
QTPS-030S/C-435-C0-CL-MH	3250	1568	1682	506	130	123	741	125	180	379	814	900
QTPS-030S/C-435-C1-CL-MH	3250	1568	1682	506	130	123	741	125	180	379	814	900
QTPS-030S/C-435-C2-CL-MH	3250	1568	1682	506	130	123	741	125	180	379	814	900
QTPS-030S/C-435-C3-CL-MH	3250	1568	1682	506	130	123	741	125	180	379	814	900
QTPS-030S/C-485-C0-CL-MH	3324	1568	1756	506	130	123	771	155	180	379	844	960
QTPS-030S/C-485-C1-CL-MH	3324	1568	1756	506	130	123	771	155	180	379	844	960
QTPS-030S/C-485-C2-CL-MH	3325	1568	1757	506	130	123	771	155	180	379	844	960
QTPS-030S/C-485-C3-CL-MH	3325	1568	1757	506	130	123	771	155	180	379	844	960
QTPS-030S/C-535-C0-CL-MH	3330	1568	1762	506	130	123	801	185	180	379	874	1015
QTPS-030S/C-535-C1-CL-MH	3330	1568	1762	506	130	123	801	185	180	379	874	1015
QTPS-030S/C-535-C2-CL-MH	3330	1568	1762	506	130	123	801	185	180	379	874	1020
QTPS-030S/C-535-C3-CL-MH	3330	1568	1762	506	130	123	801	185	180	379	874	1035
QTPS-060S/C-485-D0-CL-MH	3990	2017	1973	569	163	122	797	122	205	380	870	1700
QTPS-060S/C-485-D1-CL-MH	3990	2017	1973	569	163	122	797	122	205	380	870	1700
QTPS-060S/C-485-D2-CL-MH	3992	2020	1972	569	163	122	797	122	205	380	870	1720
QTPS-060S/C-485-D3-CL-MH	3994	2020	1974	569	163	122	797	122	205	380	870	1720



# OVERALL DIMENSIONS

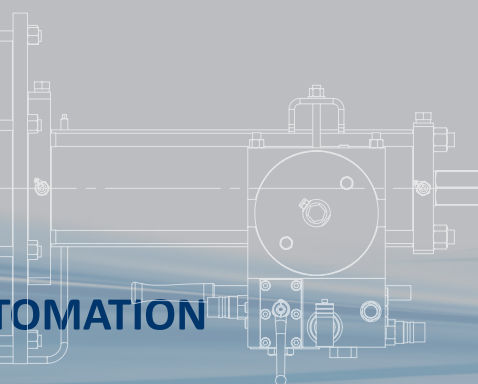
## QT SPRING TO CLOSE WITH HYDRAULIC MANUAL OVERRIDE-MH

Model Size	A	B	C	D	E	F	G	H	I	L	M	Weight(Kg)
QTPS-060S/C-535-D0-CL-MH	3988	1965	2023	569	163	122	827	152	205	380	900	1750
QTPS-060S/C-535-D1-CL-MH	3988	1965	2023	569	163	122	827	152	205	380	900	1750
QTPS-060S/C-535-D2-CL-MH	3988	1968	2020	569	163	122	827	152	205	380	900	1760
QTPS-060S/C-535-D3-CL-MH	3990	1968	2022	569	163	122	827	152	205	380	900	1780
QTPS-060S/C-565-D0-CL-MH	4020	1964	2056	569	163	122	857	182	205	380	930	1900
QTPS-060S/C-565-D1-CL-MH	4020	1964	2056	569	163	122	857	182	205	380	930	1900
QTPS-060S/C-565-D2-CL-MH	4020	1964	2056	569	163	122	857	182	205	380	930	1950
QTPS-060S/C-565-D3-CL-MH	4025	1968	2057	569	163	122	857	182	205	380	930	1950
QTPS-060S/C-585-D0-CL-MH	4030	1996	2034	569	163	122	857	182	205	380	930	1990
QTPS-060S/C-585-D1-CL-MH	4032	1998	2034	569	163	122	857	182	205	380	930	2000
QTPS-060S/C-585-D2-CL-MH	4067	2033	2034	569	163	122	857	182	205	380	930	2000
QTPS-060S/C-585-D3-CL-MH	4080	2046	2034	569	163	122	857	182	205	380	930	2005
QTPS-060S/C-635-D0-CL-MH	4054	1965	2089	569	163	122	887	212	205	380	960	2100
QTPS-060S/C-635-D1-CL-MH	4054	1965	2089	569	163	122	887	212	205	380	960	2100
QTPS-060S/C-635-D2-CL-MH	4055	1968	2087	569	163	122	887	212	205	380	960	2100
QTPS-060S/C-635-D3-CL-MH	4058	1968	2090	569	163	122	887	212	205	380	960	2100
QTPS-060S/C-685-D0-CL-MH	4110	2004	2106	569	163	122	907	232	205	380	980	2150
QTPS-060S/C-685-D1-CL-MH	4112	2006	2106	569	163	122	907	232	205	380	980	2150
QTPS-060S/C-685-D2-CL-MH	4115	2009	2106	569	163	122	907	232	205	380	980	2180
QTPS-060S/C-685-D3-CL-MH	4120	2014	2106	569	163	122	907	232	205	380	980	2205
QTPS-060S/C-735-D0-CL-MH	4180	2065	2115	569	163	122	932	257	205	380	1005	2330
QTPS-060S/C-735-D1-CL-MH	4182	2070	2112	569	163	122	932	257	205	380	1005	2355
QTPS-060S/C-735-D2-CL-MH	4185	2075	2110	569	163	122	932	257	205	380	1005	2390
QTPS-060S/C-735-D3-CL-MH	4190	2077	2113	569	163	122	932	257	205	380	1005	2430
QTPS-120S/C-585-E1-CL-MH	4470	2224	2246	654	204	123	921	141	230	419	994	2545
QTPS-120S/C-585-E2-CL-MH	4472	2226	2246	654	204	123	921	141	230	419	994	2545
QTPS-120S/C-585-E3-CL-MH	4478	2232	2246	654	204	123	921	141	230	419	994	2555
QTPS-120S/C-585-E4-CL-MH	4480	2234	2246	654	204	123	921	141	230	419	994	2565
QTPS-120S/C-635-E1-CL-MH	4547	2300	2247	654	204	123	951	171	230	419	1024	2605
QTPS-120S/C-635-E2-CL-MH	4547	2300	2247	654	204	123	951	171	230	419	1024	2665
QTPS-120S/C-635-E3-CL-MH	4547	2300	2247	654	204	123	951	171	230	419	1024	2715
QTPS-120S/C-635-E4-CL-MH	4547	2300	2247	654	204	123	951	171	230	419	1024	2785
QTPS-120S/C-685-E1-CL-MH	4550	2300	2250	654	204	123	971	191	230	419	1044	2715
QTPS-120S/C-685-E2-CL-MH	4550	2300	2250	654	204	123	971	191	230	419	1044	2715
QTPS-120S/C-685-E3-CL-MH	4550	2300	2250	654	204	123	971	191	230	419	1044	2865
QTPS-120S/C-685-E4-CL-MH	4550	2300	2250	654	204	123	971	191	230	419	1044	2865
QTPS-120S/C-735-E1-CL-MH	4563	2300	2263	654	204	123	996	216	230	419	1069	2865
QTPS-120S/C-735-E2-CL-MH	4563	2300	2263	654	204	123	996	216	230	419	1069	2915
QTPS-120S/C-735-E3-CL-MH	4570	2300	2270	654	204	123	996	216	230	419	1069	2965
QTPS-120S/C-735-E4-CL-MH	4570	2300	2270	654	204	123	996	216	230	419	1069	3045
QTPS-120S/C-785-E1-CL-MH	4572	2302	2270	654	204	123	1011	231	230	419	1084	3185
QTPS-120S/C-785-E2-CL-MH	4572	2304	2268	654	204	123	1011	231	230	419	1084	3215
QTPS-120S/C-785-E3-CL-MH	4578	2307	2271	654	204	123	1011	231	230	419	1084	3245
QTPS-120S/C-785-E4-CL-MH	4580	2308	2272	654	204	123	1011	231	230	419	1084	3260
QTPS-120S/C-835-E1-CL-MH	4585	2300	2285	654	204	123	1026	246	230	419	1099	3375
QTPS-120S/C-835-E2-CL-MH	4585	2300	2285	654	204	123	1026	246	230	419	1099	3377
QTPS-120S/C-835-E3-CL-MH	4590	2300	2290	654	204	123	1026	246	230	419	1099	3380
QTPS-120S/C-835-E4-CL-MH	4592	2300	2292	654	204	123	1026	246	230	419	1099	3382
QTPS-120S/C-885-E1-CL-MH	4640	2354	2286	654	204	123	1041	261	230	419	1114	3575
QTPS-120S/C-885-E2-CL-MH	4640	2359	2281	654	204	123	1041	261	230	419	1114	3577

# OVERALL DIMENSIONS

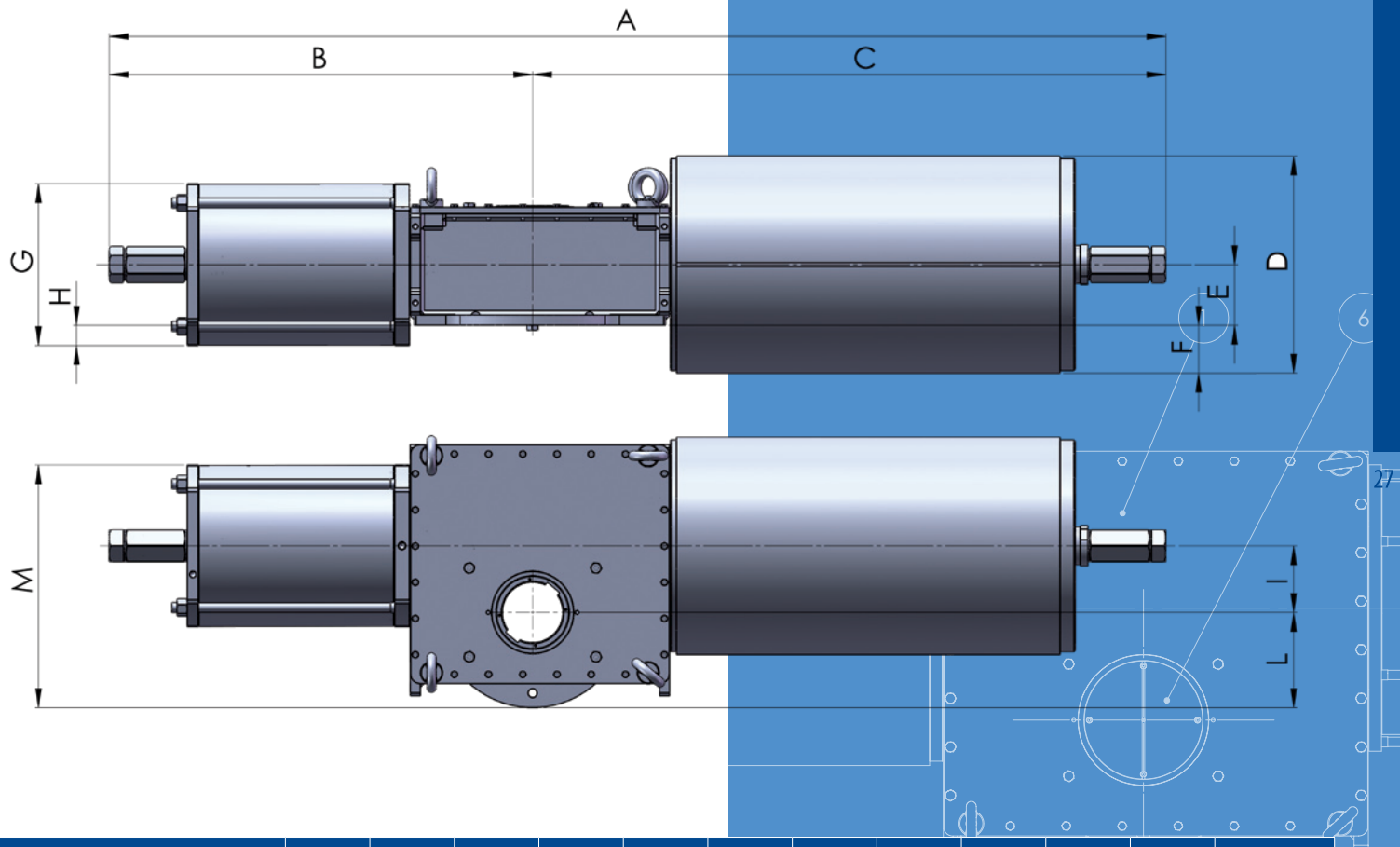
## QT SPRING TO CLOSE WITH HYDRAULIC MANUAL OVERRIDE-MH

Model Size	A	B	C	D	E	F	G	H	I	L	M	Weight(Kg)
QTPS-120S/C-885-E3-CL-MH	4650	2362	2288	654	204	123	1041	261	230	419	1114	3581
QTPS-120S/C-885-E4-CL-MH	4650	2366	2284	654	204	123	1041	261	230	419	1114	3583
QTPS-120S/C-935-E1-CL-MH	4680	2386	2294	654	204	123	1076	296	230	419	1149	3745
QTPS-120S/C-935-E2-CL-MH	4680	2391	2289	654	204	123	1076	296	230	419	1149	3750
QTPS-120S/C-935-E3-CL-MH	4690	2395	2295	654	204	123	1076	296	230	419	1149	3755
QTPS-120S/C-935-E4-CL-MH	4695	2400	2295	654	204	123	1076	296	230	419	1149	3760
QTPS-180S/C-685-F1-CL-MH	4978	2544	2434	745	217	156	995	178	255	350	1000	4000
QTPS-180S/C-685-F2-CL-MH	4980	2546	2434	745	217	156	995	178	255	350	1000	4010
QTPS-180S/C-685-F3-CL-MH	4985	2551	2434	745	217	156	995	178	255	350	1000	4015
QTPS-180S/C-685-F4-CL-MH	4987	2553	2434	745	217	156	995	178	255	350	1000	4030
QTPS-180S/C-735-F1-CL-MH	5000	2556	2444	745	217	156	1020	203	255	350	1025	4080
QTPS-180S/C-735-F2-CL-MH	5003	2559	2444	745	217	156	1020	203	255	350	1025	4100
QTPS-180S/C-735-F3-CL-MH	5005	2561	2444	745	217	156	1020	203	255	350	1025	4110
QTPS-180S/C-735-F4-CL-MH	5010	2566	2444	745	217	156	1020	203	255	350	1025	4115
QTPS-180S/C-785-F1-CL-MH	5026	2572	2454	745	217	156	1035	218	255	350	1040	4180
QTPS-180S/C-785-F2-CL-MH	5029	2575	2454	745	217	156	1035	218	255	350	1040	4200
QTPS-180S/C-785-F3-CL-MH	5029	2575	2454	745	217	156	1035	218	255	350	1040	4205
QTPS-180S/C-785-F4-CL-MH	5032	2578	2454	745	217	156	1035	218	255	350	1040	4230
QTPS-180S/C-835-F1-CL-MH	5048	2588	2460	745	217	156	1050	233	255	350	1055	4340
QTPS-180S/C-835-F2-CL-MH	5050	2590	2460	745	217	156	1050	233	255	350	1055	4350
QTPS-180S/C-835-F3-CL-MH	5054	2594	2460	745	217	156	1050	233	255	350	1055	4360
QTPS-180S/C-835-F4-CL-MH	5056	2596	2460	745	217	156	1050	233	255	350	1055	4375
QTPS-180S/C-885-F1-CL-MH	5068	2604	2464	745	217	156	1065	248	255	350	1070	4385
QTPS-180S/C-885-F2-CL-MH	5070	2606	2464	745	217	156	1065	248	255	350	1070	4390
QTPS-180S/C-885-F3-CL-MH	5075	2611	2464	745	217	156	1065	248	255	350	1070	4395
QTPS-180S/C-885-F4-CL-MH	5080	2616	2464	745	217	156	1065	248	255	350	1070	4400
QTPS-180S/C-935-F1-CL-MH	5106	2642	2464	745	217	156	1133	316	255	350	1138	4482
QTPS-180S/C-935-F2-CL-MH	5108	2644	2464	745	217	156	1133	316	255	350	1138	4490
QTPS-180S/C-935-F3-CL-MH	5108	2644	2464	745	217	156	1133	316	255	350	1138	4495
QTPS-180S/C-935-F4-CL-MH	5110	2646	2464	745	217	156	1133	316	255	350	1138	4510
QTPS-180S/C-1000-F1-CL-MH	5120	2646	2474	745	217	156	1160	343	255	350	1165	4585
QTPS-180S/C-1000-F2-CL-MH	5122	2648	2474	745	217	156	1160	343	255	350	1165	4600
QTPS-180S/C-1000-F3-CL-MH	5128	2654	2474	745	217	156	1160	343	255	350	1165	4615
QTPS-180S/C-1000-F4-CL-MH	5132	2658	2474	745	217	156	1160	343	255	350	1165	4620
QTPS-180S/C-1050-F1-CL-MH	5150	2671	2479	745	217	156	1190	373	255	350	1195	4680
QTPS-180S/C-1050-F2-CL-MH	5154	2675	2479	745	217	156	1190	373	255	350	1195	4730
QTPS-180S/C-1050-F3-CL-MH	5159	2680	2479	745	217	156	1190	373	255	350	1195	4760
QTPS-180S/C-1050-F4-CL-MH	5165	2686	2479	745	217	156	1190	373	255	350	1195	4790



# OVERALL DIMENSIONS

## QT SPRING TO OPEN



Model Size	A	B	C	D	E	F	G	H	I	L	M	Weight(Kg)
QTP-010S/C-235-A1-OP	1667	668	999	342	96	75	255	32	105	150	383	260
QTP-010S/C-235-A2-OP	1667	668	999	342	96	75	255	32	105	150	383	262
QTP-010S/C-235-A3-OP	1667	668	999	342	96	75	255	32	105	150	383	265
QTP-010S/C-235-A4-OP	1667	668	999	342	96	75	255	32	105	150	383	268
QTP-010S/C-255-A1-OP	1669	670	999	342	96	75	275	42	105	150	393	270
QTP-010S/C-255-A2-OP	1669	670	999	342	96	75	275	42	105	150	393	275
QTP-010S/C-255-A3-OP	1669	670	999	342	96	75	275	42	105	150	393	290
QTP-010S/C-255-A4-OP	1669	670	999	342	96	75	275	42	105	150	393	295
QTP-010S/C-280-A1-OP	1667	668	999	342	96	75	300	54	105	150	405	275
QTP-010S/C-280-A2-OP	1667	668	999	342	96	75	300	54	105	150	405	280
QTP-010S/C-280-A3-OP	1667	668	999	342	96	75	300	54	105	150	405	285
QTP-010S/C-280-A4-OP	1667	668	999	342	96	75	300	54	105	150	405	290
QTP-010S/C-300-A1-OP	1671	672	999	342	96	75	330	69	105	150	420	295
QTP-010S/C-300-A2-OP	1671	672	999	342	96	75	330	69	105	150	420	300
QTP-010S/C-300-A3-OP	1671	672	999	342	96	75	330	69	105	150	420	300
QTP-010S/C-300-A4-OP	1671	672	999	342	96	75	330	69	105	150	420	305
QTP-010S/C-335-A1-OP	1747	698	1049	342	96	75	360	84	105	150	435	310
QTP-010S/C-335-A2-OP	1747	698	1049	342	96	75	360	84	105	150	435	315
QTP-010S/C-335-A3-OP	1747	698	1049	342	96	75	360	84	105	150	435	315
QTP-010S/C-335-A4-OP	1747	698	1049	342	96	75	360	84	105	150	435	320

# OVERALL DIMENSIONS

## QT SPRING TO OPEN

Model Size	A	B	C	D	E	F	G	H	I	L	M	Weight(Kg)
QTP-010S/C-360-A1-OP	1674	675	999	342	96	75	460	134	105	150	485	330
QTP-010S/C-360-A2-OP	1707	699	1008	342	96	75	460	134	105	150	485	335
QTP-010S/C-360-A3-OP	1707	699	1008	342	96	75	460	134	105	150	485	338
QTP-010S/C-360-A4-OP	1674	675	999	342	96	75	460	134	105	150	485	340
QTP-010S/C-385-A1-OP	1674	675	999	342	96	75	460	134	105	150	485	345
QTP-010S/C-385-A2-OP	1674	675	999	342	96	75	460	134	105	150	485	350
QTP-010S/C-385-A3-OP	1674	675	999	342	96	75	460	134	105	150	485	350
QTP-010S/C-385-A4-OP	1674	675	999	342	96	75	460	134	105	150	485	355
QTP-016S/C-280-B1-OP	1972	768	1204	413	111	96	300	39	135	176	461	360
QTP-016S/C-280-B2-OP	1972	768	1204	413	111	96	300	39	135	176	461	362
QTP-016S/C-280-B3-OP	1972	768	1204	413	111	96	300	39	135	176	461	365
QTP-016S/C-300-B1-OP	1973	769	1204	413	111	96	330	54	135	176	476	375
QTP-016S/C-300-B2-OP	1973	769	1204	413	111	96	330	54	135	176	476	378
QTP-016S/C-300-B3-OP	1973	769	1204	413	111	96	330	54	135	176	476	380
QTP-016S/C-335-B1-OP	1973	769	1204	413	111	96	360	69	135	176	491	390
QTP-016S/C-335-B2-OP	1973	769	1204	413	111	96	360	69	135	176	491	395
QTP-016S/C-335-B3-OP	1973	769	1204	413	111	96	360	69	135	176	491	400
QTP-016S/C-385-B1-OP	1978	774	1204	413	111	96	460	119	135	176	541	435
QTP-016S/C-385-B2-OP	1978	774	1204	413	111	96	460	119	135	176	541	460
QTP-016S/C-385-B3-OP	1978	774	1204	413	111	96	460	119	135	176	541	465
QTP-016S/C-435-B1-OP	1980	776	1204	413	111	96	510	144	135	176	566	470
QTP-016S/C-435-B2-OP	1980	776	1204	413	111	96	510	144	135	176	566	500
QTP-016S/C-435-B3-OP	1980	776	1204	431	111	105	510	144	135	176	566	510
QTP-016S/C-485-B1-OP	2018	815	1203	413	111	96	570	174	135	176	596	535
QTP-016S/C-485-B2-OP	2018	815	1203	413	111	96	570	174	135	176	596	565
QTP-016S/C-485-B3-OP	2018	815	1203	431	111	105	570	174	135	176	596	645
QTP-030S/C-335-C0-OP	2659	1051	1608	506	130	123	364	52	180	208	570	835
QTP-030S/C-335-C1-OP	2659	1051	1608	506	130	123	364	52	180	208	570	840
QTP-030S/C-335-C2-OP	2659	1051	1608	506	130	123	364	52	180	208	570	840
QTP-030S/C-335-C3-OP	2659	1051	1608	506	130	123	364	52	180	208	570	750
QTP-030S/C-385-C0-OP	2659	1051	1608	506	130	123	460	100	180	208	618	840
QTP-030S/C-385-C1-OP	2659	1051	1608	506	130	123	460	100	180	208	618	840
QTP-030S/C-385-C2-OP	2659	1051	1608	506	130	123	460	100	180	208	618	840
QTP-030S/C-385-C3-OP	2659	1051	1608	506	130	123	460	100	180	208	618	840
QTP-030S/C-435-C0-OP	2653	1045	1608	506	130	123	510	125	180	208	643	840
QTP-030S/C-435-C1-OP	2653	1045	1608	506	130	123	510	125	180	208	643	840
QTP-030S/C-435-C2-OP	2653	1045	1608	506	130	123	510	125	180	208	643	840
QTP-030S/C-435-C3-OP	2653	1045	1608	506	130	123	510	125	180	208	643	840
QTP-030S/C-485-C0-OP	2734	1126	1608	506	130	123	570	155	180	208	673	900
QTP-030S/C-485-C1-OP	2734	1126	1608	506	130	123	570	155	180	208	673	900
QTP-030S/C-485-C2-OP	2734	1126	1608	506	130	123	570	155	180	208	673	900
QTP-030S/C-485-C3-OP	2734	1126	1608	506	130	123	570	155	180	208	673	900
QTP-030S/C-535-C0-OP	2741	1133	1608	506	130	123	630	185	180	208	703	955
QTP-030S/C-535-C1-OP	2741	1133	1608	506	130	123	630	185	180	208	703	955
QTP-030S/C-535-C2-OP	2741	1133	1608	506	130	123	630	185	180	208	703	960
QTP-060S/C-485-D0-OP	3334	1257	2077	569	163	122	570	122	205	260	750	1580
QTP-060S/C-485-D1-OP	3334	1257	2077	569	163	122	570	122	205	260	750	1580
QTP-060S/C-485-D2-OP	3337	1257	2080	569	163	122	570	122	205	260	750	1580
QTP-060S/C-485-D3-OP	3336	1257	2079	569	163	122	570	122	205	260	750	1580
QTP-060S/C-535-D0-OP	3285	1260	2025	569	163	122	630	152	205	260	780	1650

# OVERALL DIMENSIONS

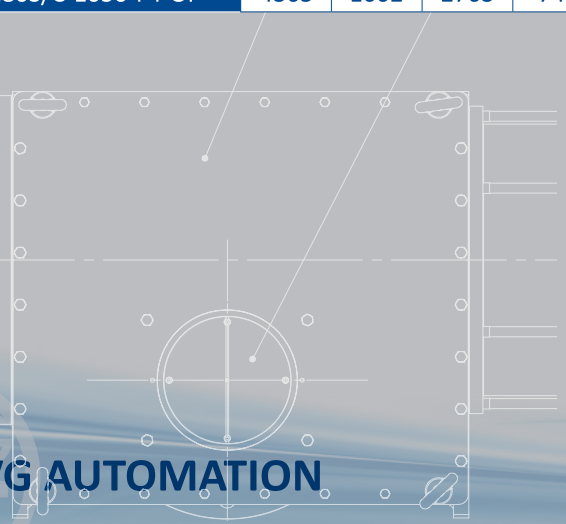
## QT SPRING TO OPEN

Model Size	A	B	C	D	E	F	G	H	I	L	M	Weight(Kg)
QTP-060S/C-535-D1-OP	3285	1260	2025	569	163	122	630	152	205	260	780	1650
QTP-060S/C-535-D2-OP	3288	1260	2028	569	163	122	630	152	205	260	780	1660
QTP-060S/C-535-D3-OP	3288	1260	2028	569	163	122	630	152	205	260	780	1700
QTP-060S/C-565-D0-OP	3322	1298	2024	569	163	122	690	182	205	260	810	1750
QTP-060S/C-565-D1-OP	3322	1298	2024	569	163	122	690	182	205	260	810	1770
QTP-060S/C-565-D2-OP	3322	1298	2024	569	163	122	690	182	205	260	810	1820
QTP-060S/C-565-D3-OP	3327	1299	2028	569	163	122	690	182	205	260	810	1820
QTP-060S/C-585-D0-OP	3330	1274	2056	569	163	122	690	182	205	260	810	1910
QTP-060S/C-585-D1-OP	3332	1274	2058	569	163	122	690	182	205	260	810	1920
QTP-060S/C-585-D2-OP	3367	1274	2093	569	163	122	690	182	205	260	810	1920
QTP-060S/C-585-D3-OP	3380	1274	2106	569	163	122	690	182	205	260	810	1925
QTP-060S/C-635-D0-OP	3354	1329	2025	569	163	122	750	212	205	260	840	2110
QTP-060S/C-635-D1-OP	3354	1329	2025	569	163	122	750	212	205	260	840	2110
QTP-060S/C-635-D2-OP	3357	1329	2028	569	163	122	750	212	205	260	840	2150
QTP-060S/C-635-D3-OP	3357	1329	2028	569	163	122	750	212	205	260	840	2150
QTP-060S/C-685-D0-OP	3410	1346	2064	569	163	122	790	232	205	260	860	2200
QTP-060S/C-685-D1-OP	3412	1346	2066	569	163	122	790	232	205	260	860	2200
QTP-060S/C-685-D2-OP	3415	1346	2069	569	163	122	790	232	205	260	860	2200
QTP-060S/C-685-D3-OP	3420	1346	2074	569	163	122	790	232	205	260	860	2210
QTP-060S/C-735-D0-OP	3480	1355	2125	569	163	122	840	257	205	260	885	2250
QTP-060S/C-735-D1-OP	3485	1355	2130	569	163	122	840	257	205	260	885	2275
QTP-060S/C-735-D2-OP	3490	1355	2135	569	163	122	840	257	205	260	885	2310
QTP-060S/C-735-D3-OP	3492	1355	2137	569	163	122	840	257	205	260	885	2350
QTP-120S/C-585-E1-OP	3710	1416	2294	654	204	123	690	141	230	280	855	2480
QTP-120S/C-585-E2-OP	3712	1416	2296	654	204	123	690	141	230	280	855	2480
QTP-120S/C-585-E3-OP	3718	1416	2302	654	204	123	690	141	230	280	855	2490
QTP-120S/C-585-E4-OP	3720	1416	2304	654	204	123	690	141	230	280	855	2500
QTP-120S/C-635-E1-OP	3790	1420	2370	654	204	123	750	171	230	280	885	2540
QTP-120S/C-635-E2-OP	3790	1420	2370	654	204	123	750	171	230	280	885	2600
QTP-120S/C-635-E3-OP	3790	1420	2370	654	204	123	750	171	230	280	885	2650
QTP-120S/C-635-E4-OP	3790	1420	2370	654	204	123	750	171	230	280	885	2720
QTP-120S/C-685-E1-OP	3794	1424	2370	654	204	123	790	191	230	280	905	2650
QTP-120S/C-685-E2-OP	3794	1424	2370	654	204	123	790	191	230	280	905	2650
QTP-120S/C-685-E3-OP	3794	1424	2370	654	204	123	790	191	230	280	905	2800
QTP-120S/C-685-E4-OP	3794	1424	2370	654	204	123	790	191	230	280	905	2800
QTP-120S/C-735-E1-OP	3803	1433	2370	654	204	123	840	216	230	280	930	2800
QTP-120S/C-735-E2-OP	3803	1433	2370	654	204	123	840	216	230	280	930	2850
QTP-120S/C-735-E3-OP	3803	1433	2370	654	204	123	840	216	230	280	930	2900
QTP-120S/C-735-E4-OP	3803	1433	2370	654	204	123	840	216	230	280	930	2980
QTP-120S/C-785-E1-OP	3820	1438	2382	654	204	123	870	231	230	280	945	3120
QTP-120S/C-785-E2-OP	3820	1438	2382	654	204	123	870	231	230	280	945	3150
QTP-120S/C-785-E3-OP	3822	1438	2384	654	204	123	870	231	230	280	945	3180
QTP-120S/C-785-E4-OP	3822	1438	2384	654	204	123	870	231	230	280	945	3195
QTP-120S/C-835-E1-OP	3825	1455	2370	654	204	123	900	246	230	280	960	3310
QTP-120S/C-835-E2-OP	3826	1456	2370	654	204	123	900	246	230	280	960	3312
QTP-120S/C-835-E3-OP	3828	1458	2370	654	204	123	900	246	230	280	960	3315
QTP-120S/C-835-E4-OP	3830	1460	2370	654	204	123	900	246	230	280	960	3317
QTP-120S/C-885-E1-OP	3880	1456	2424	654	204	123	930	261	230	280	975	3510
QTP-120S/C-885-E2-OP	3885	1456	2429	654	204	123	930	261	230	280	975	3512
QTP-120S/C-885-E3-OP	3888	1456	2432	654	204	123	930	261	230	280	975	3516

# OVERALL DIMENSIONS

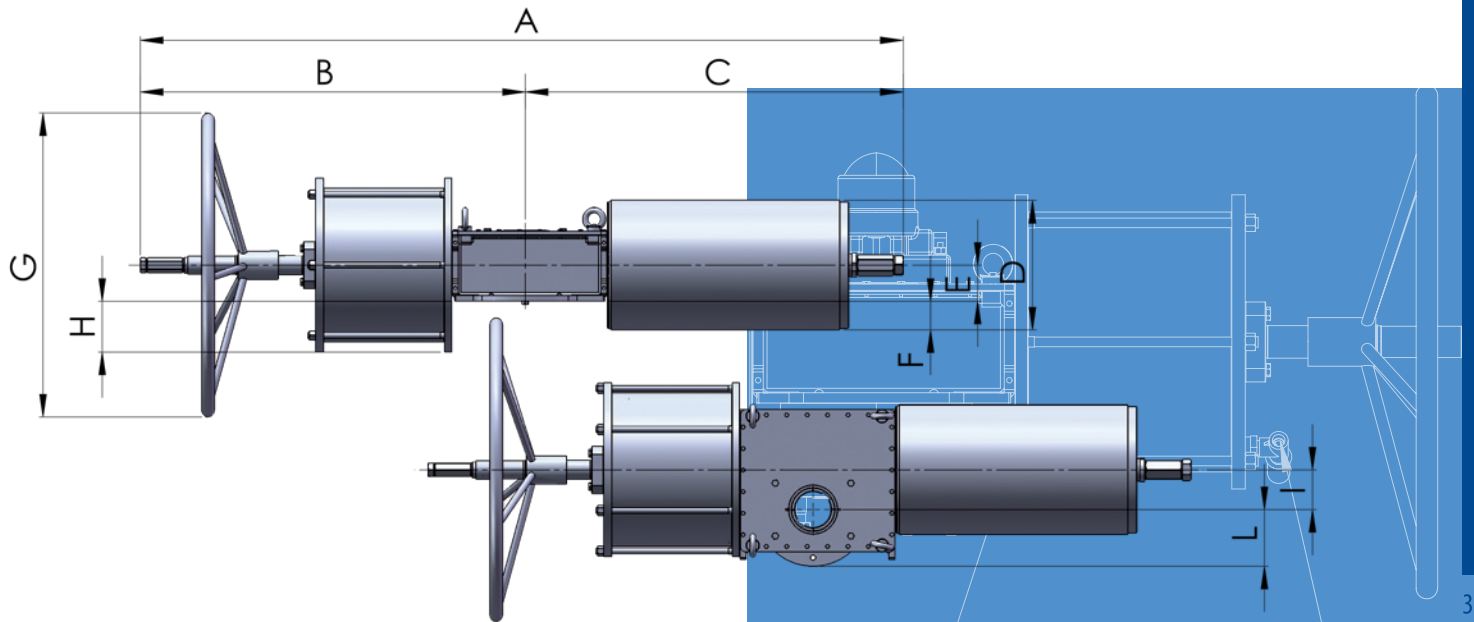
## QT SPRING TO OPEN

Model Size	A	B	C	D	E	F	G	H	I	L	M	Weight(Kg)
QTP-120S/C-885-E4-OP	3892	1456	2436	654	204	123	930	261	230	280	975	3518
QTP-120S/C-935-E1-OP	3920	1464	2456	654	204	123	1000	296	230	280	1010	3680
QTP-120S/C-935-E2-OP	3925	1464	2461	654	204	123	1000	296	230	280	1010	3685
QTP-120S/C-935-E3-OP	3929	1464	2465	654	204	123	1000	296	230	280	1010	3690
QTP-120S/C-935-E4-OP	3934	1464	2470	654	204	123	1000	296	230	280	1010	3695
QTP-180S/C-685-F1-OP	4178	1557	2621	745	217	156	790	178	255	350	1000	3920
QTP-180S/C-685-F2-OP	4180	1557	2623	745	217	156	790	178	255	350	1000	3930
QTP-180S/C-685-F3-OP	4185	1557	2628	745	217	156	790	178	255	350	1000	3935
QTP-180S/C-685-F4-OP	4187	1557	2630	745	217	156	790	178	255	350	1000	3950
QTP-180S/C-735-F1-OP	4200	1567	2633	745	217	156	840	203	255	350	1025	4000
QTP-180S/C-735-F2-OP	4203	1567	2636	745	217	156	840	203	255	350	1025	4020
QTP-180S/C-735-F3-OP	4205	1567	2638	745	217	156	840	203	255	350	1025	4030
QTP-180S/C-735-F4-OP	4210	1567	2643	745	217	156	840	203	255	350	1025	4035
QTP-180S/C-785-F1-OP	4226	1577	2649	745	217	156	870	218	255	350	1040	4100
QTP-180S/C-785-F2-OP	4229	1577	2652	745	217	156	870	218	255	350	1040	4120
QTP-180S/C-785-F3-OP	4229	1577	2652	745	217	156	870	218	255	350	1040	4125
QTP-180S/C-785-F4-OP	4232	1577	2655	745	217	156	870	218	255	350	1040	4150
QTP-180S/C-835-F1-OP	4248	1583	2665	745	217	156	900	233	255	350	1055	4260
QTP-180S/C-835-F2-OP	4250	1583	2667	745	217	156	900	233	255	350	1055	4270
QTP-180S/C-835-F3-OP	4254	1583	2671	745	217	156	900	233	255	350	1055	4280
QTP-180S/C-835-F4-OP	4256	1583	2673	745	217	156	900	233	255	350	1055	4295
QTP-180S/C-885-F1-OP	4268	1587	2681	745	217	156	930	248	255	350	1070	4305
QTP-180S/C-885-F2-OP	4270	1587	2683	745	217	156	930	248	255	350	1070	4310
QTP-180S/C-885-F3-OP	4275	1587	2688	745	217	156	930	248	255	350	1070	4315
QTP-180S/C-885-F4-OP	4280	1587	2693	745	217	156	930	248	255	350	1070	4320
QTP-180S/C-935-F1-OP	4306	1587	2719	745	217	156	1065	316	255	350	1138	4402
QTP-180S/C-935-F2-OP	4308	1587	2721	745	217	156	1065	316	255	350	1138	4410
QTP-180S/C-935-F3-OP	4308	1587	2721	745	217	156	1065	316	255	350	1138	4415
QTP-180S/C-935-F4-OP	4310	1587	2723	745	217	156	1065	316	255	350	1138	4430
QTP-180S/C-1000-F1-OP	4320	1597	2723	745	217	156	1120	343	255	350	1165	4505
QTP-180S/C-1000-F2-OP	4322	1597	2725	745	217	156	1120	343	255	350	1165	4520
QTP-180S/C-1000-F3-OP	4328	1597	2731	745	217	156	1120	343	255	350	1165	4535
QTP-180S/C-1000-F4-OP	4332	1597	2735	745	217	156	1120	343	255	350	1165	4540
QTP-180S/C-1050-F1-OP	4350	1602	2748	745	217	156	1180	373	255	350	1195	4600
QTP-180S/C-1050-F2-OP	4354	1602	2752	745	217	156	1180	373	255	350	1195	4650
QTP-180S/C-1050-F3-OP	4359	1602	2757	745	217	156	1180	373	255	350	1195	4680
QTP-180S/C-1050-F4-OP	4365	1602	2763	745	217	156	1180	373	255	350	1195	4710



# OVERALL DIMENSIONS

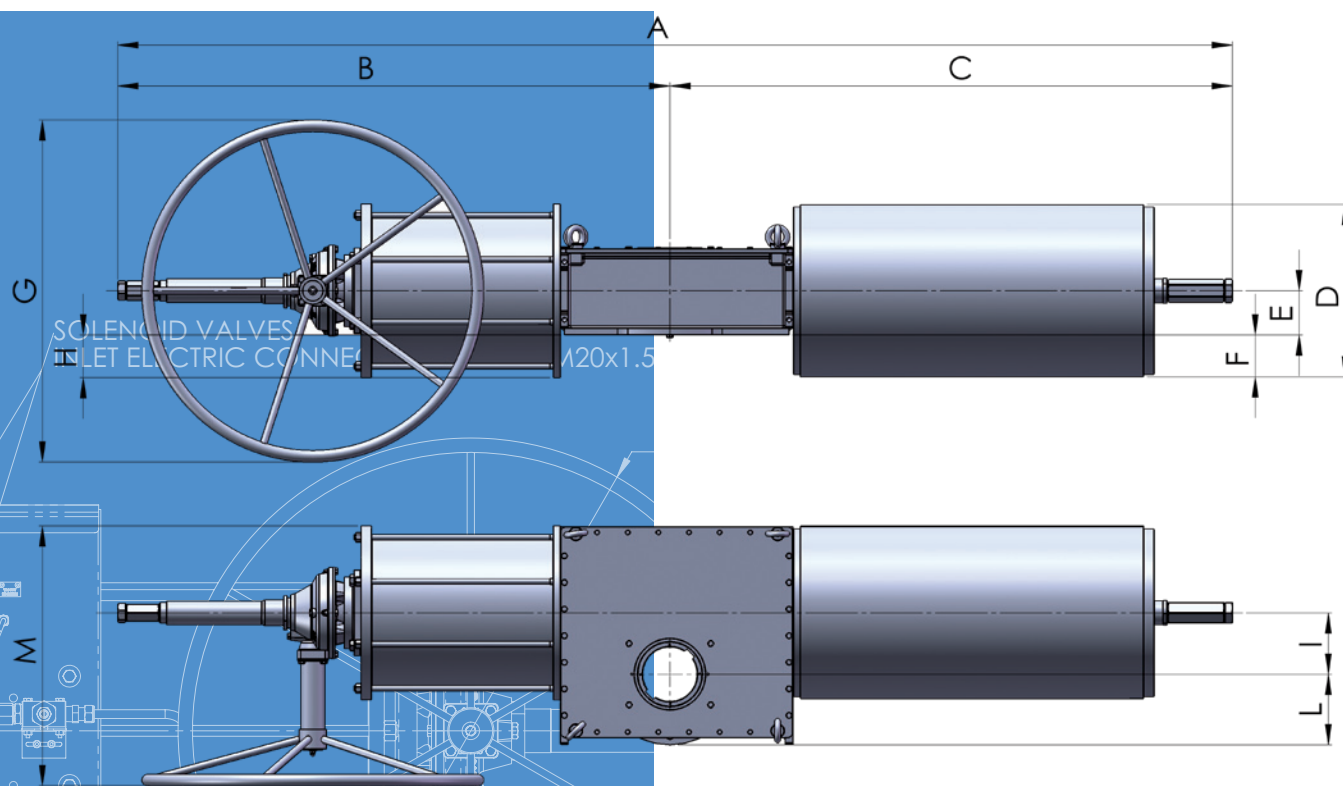
## QT SPRING TO OPEN WITH MECHANICAL MANUAL OVERRIDE-MO



Model Size	A	B	C	D	E	F	G	H	I	L	Weight(Kg)
QTPS-010S/C-235-A1-OP-MO	2006	1007	999	342	96	75	800	32	105	150	265
QTPS-010S/C-235-A2-OP-MO	2006	1007	999	342	96	75	800	32	105	150	266
QTPS-010S/C-235-A3-OP-MO	2007	1008	999	342	96	75	800	32	105	150	268
QTPS-010S/C-235-A4-OP-MO	2007	1008	999	342	96	75	800	32	105	150	270
QTPS-010S/C-255-A1-OP-MO	2008	1009	999	342	96	75	800	42	105	150	279
QTPS-010S/C-255-A2-OP-MO	2008	1009	999	342	96	75	800	42	105	150	279
QTPS-010S/C-255-A3-OP-MO	2010	1011	999	342	96	75	800	42	105	150	291
QTPS-010S/C-255-A4-OP-MO	2012	1013	999	342	96	75	800	42	105	150	296
QTPS-010S/C-280-A1-OP-MO	2007	1008	999	342	96	75	800	54	105	150	285
QTPS-010S/C-280-A2-OP-MO	2007	1008	999	342	96	75	800	54	105	150	292
QTPS-010S/C-280-A3-OP-MO	2008	1009	999	342	96	75	800	54	105	150	295
QTPS-010S/C-280-A4-OP-MO	2008	1009	999	342	96	75	800	54	105	150	299
QTPS-010S/C-300-A1-OP-MO	2012	1013	999	342	96	75	800	69	105	150	310
QTPS-010S/C-300-A2-OP-MO	2012	1013	999	342	96	75	800	69	105	150	312
QTPS-010S/C-300-A3-OP-MO	2014	1015	999	342	96	75	800	69	105	150	313
QTPS-010S/C-300-A4-OP-MO	2015	1016	999	342	96	75	800	69	105	150	315
QTPS-010S/C-335-A1-OP-MO	2017	968	1049	342	96	75	800	84	105	150	326
QTPS-010S/C-335-A2-OP-MO	2017	968	1049	342	96	75	800	84	105	150	327
QTPS-010S/C-335-A3-OP-MO	2018	969	1049	342	96	75	800	84	105	150	335
QTPS-010S/C-335-A4-OP-MO	2018	969	1049	342	96	75	800	84	105	150	336
QTPS-010S/C-360-A1-OP-MO	2016	1017	999	342	96	75	800	134	105	150	350
QTPS-010S/C-360-A2-OP-MO	2016	1008	1008	342	96	75	800	134	105	150	350
QTPS-010S/C-360-A3-OP-MO	2017	1009	1008	342	96	75	800	134	105	150	355
QTPS-010S/C-360-A4-OP-MO	2017	1018	999	342	96	75	800	134	105	150	358
QTPS-010S/C-385-A1-OP-MO	2016	1017	999	342	96	75	800	134	105	150	360
QTPS-010S/C-385-A2-OP-MO	2016	1017	999	342	96	75	800	134	105	150	360
QTPS-010S/C-385-A3-OP-MO	2017	1018	999	342	96	75	800	134	105	150	362
QTPS-010S/C-385-A4-OP-MO	2017	1018	999	342	96	75	800	134	105	150	365
QTPS-016S/C-280-B1-OP-MO	2402	1198	1204	413	111	96	800	39	135	176	385
QTPS-016S/C-280-B2-OP-MO	2403	1199	1204	413	111	96	800	39	135	176	385
QTPS-016S/C-280-B3-OP-MO	2406	1202	1204	413	111	96	800	39	135	176	385
QTPS-016S/C-300-B1-OP-MO	2408	1204	1204	413	111	96	800	54	135	176	390
QTPS-016S/C-300-B2-OP-MO	2408	1204	1204	413	111	96	800	54	135	176	390
QTPS-016S/C-300-B3-OP-MO	2408	1204	1204	413	111	96	800	54	135	176	390
QTPS-016S/C-335-B1-OP-MO	2411	1207	1204	413	111	96	800	69	135	176	395
QTPS-016S/C-335-B2-OP-MO	2411	1207	1204	413	111	96	800	69	135	176	396
QTPS-016S/C-335-B3-OP-MO	2413	1209	1204	413	111	96	800	69	135	176	402

# OVERALL DIMENSIONS

## QT SPRING TO OPEN WITH MECHANICAL MANUAL OVERRIDE-MO



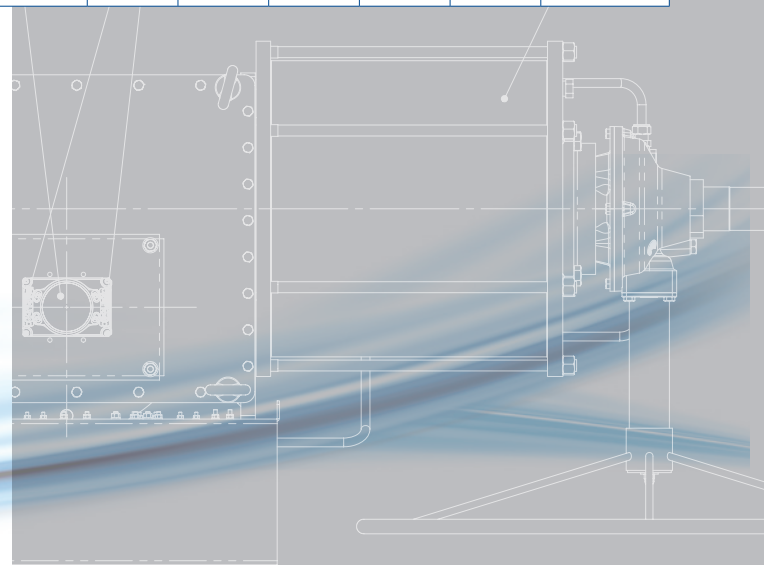
Model Size	A	B	C	D	E	F	G	H	I	L	M	Weight(Kg)
QTPS-016S/C-385-B1-OP-MO	2413	1209	1204	413	111	96	800	119	135	176	676	472
QTPS-016S/C-385-B2-OP-MO	2413	1209	1204	413	111	96	800	119	135	176	676	475
QTPS-016S/C-385-B3-OP-MO	2415	1211	1204	413	111	96	800	119	135	176	676	475
QTPS-016S/C-435-B1-OP-MO	2413	1209	1204	413	111	96	800	144	135	176	700	515
QTPS-016S/C-435-B2-OP-MO	2413	1209	1204	413	111	96	800	144	135	176	700	519
QTPS-016S/C-435-B3-OP-MO	2415	1211	1204	431	111	105	800	144	135	176	700	524
QTPS-016S/C-485-B1-OP-MO	2414	1211	1203	413	111	96	800	174	135	176	730	630
QTPS-016S/C-485-B2-OP-MO	2414	1211	1203	413	111	96	800	174	135	176	730	638
QTPS-016S/C-485-B3-OP-MO	2415	1212	1203	431	111	105	800	174	135	176	730	650
QTPS-030S/C-335-C0-OP-MO	3314	1706	1608	506	130	123	1000	52	180	208	710	850
QTPS-030S/C-335-C1-OP-MO	3314	1706	1608	506	130	123	1000	52	180	208	710	850
QTPS-030S/C-335-C2-OP-MO	3315	1707	1608	506	130	123	1000	52	180	208	710	855
QTPS-030S/C-335-C3-OP-MO	3315	1707	1608	506	130	123	1000	52	180	208	710	855
QTPS-030S/C-385-C0-OP-MO	3318	1710	1608	506	130	123	1000	100	180	208	730	860
QTPS-030S/C-385-C1-OP-MO	3318	1710	1608	506	130	123	1000	100	180	208	730	860
QTPS-030S/C-385-C2-OP-MO	3319	1711	1608	506	130	123	1000	100	180	208	730	865
QTPS-030S/C-385-C3-OP-MO	3320	1712	1608	506	130	123	1000	100	180	208	730	865
QTPS-030S/C-435-C0-OP-MO	3328	1720	1608	506	130	123	1000	125	180	208	764	880
QTPS-030S/C-435-C1-OP-MO	3328	1720	1608	506	130	123	1000	125	180	208	764	880
QTPS-030S/C-435-C2-OP-MO	3330	1722	1608	506	130	123	1000	125	180	208	764	884



# OVERALL DIMENSIONS

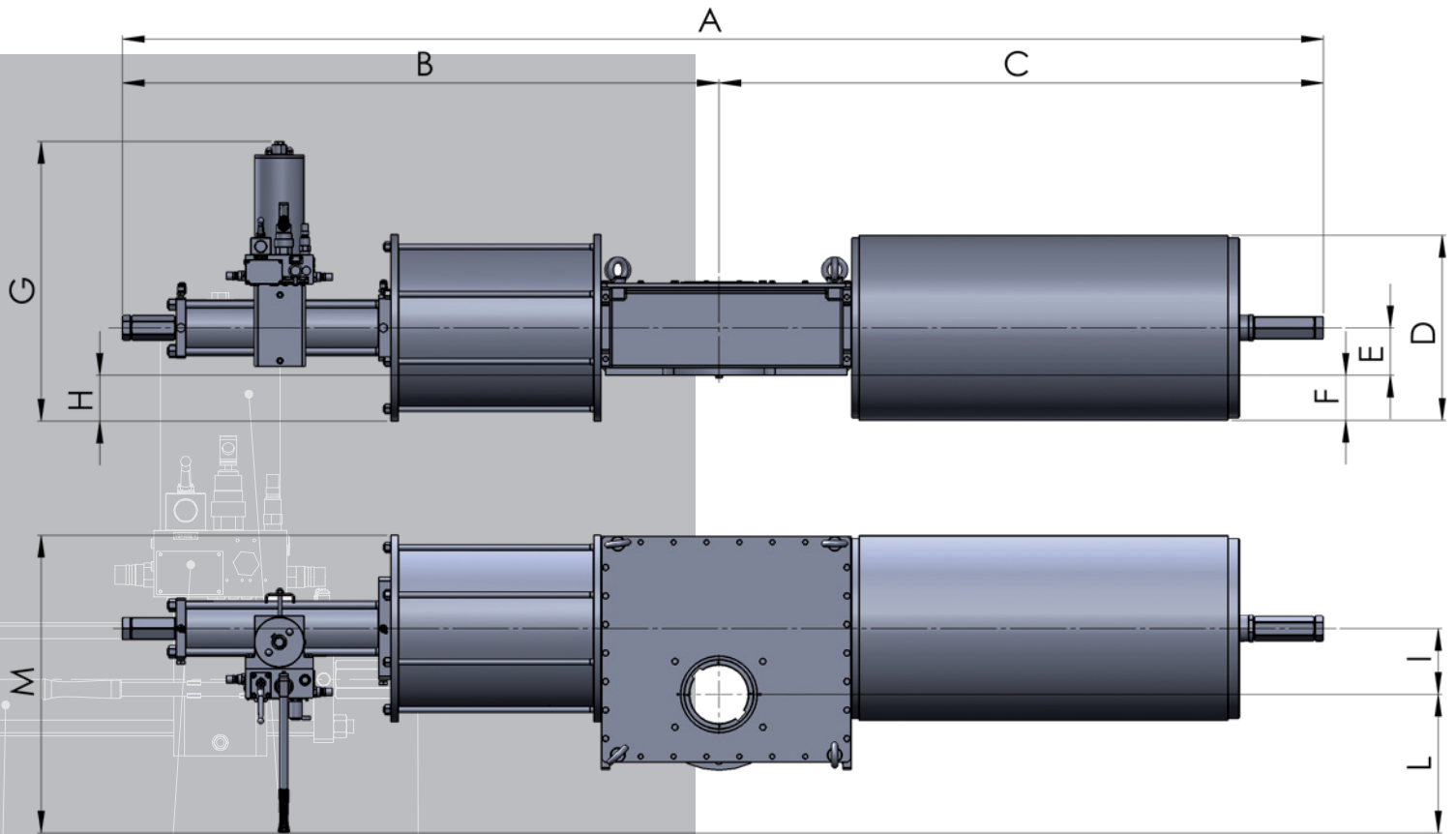
## QT SPRING TO OPEN WITH MECHANICAL MANUAL OVERRIDE-MO

Model Size	A	B	C	D	E	F	G	H	I	L	M	Weight(Kg)
QTPS-030S/C-435-C3-OP-MO	3332	1724	1608	506	130	123	1000	125	180	208	764	884
QTPS-030S/C-485-C0-OP-MO	3330	1722	1608	506	130	123	1000	155	180	208	793	916
QTPS-030S/C-485-C1-OP-MO	3330	1722	1608	506	130	123	1000	155	180	208	793	918
QTPS-030S/C-485-C2-OP-MO	3335	1727	1608	506	130	123	1000	155	180	208	793	925
QTPS-030S/C-485-C3-OP-MO	3340	1732	1608	506	130	123	1000	155	180	208	793	930
QTPS-030S/C-535-C0-OP-MO	3345	1737	1608	506	130	123	1000	185	180	208	820	980
QTPS-030S/C-535-C1-OP-MO	3348	1740	1608	506	130	123	1000	185	180	208	820	980
QTPS-030S/C-535-C2-OP-MO	3350	1742	1608	506	130	123	1000	185	180	208	820	990
QTPS-030S/C-535-C3-OP-MO	3350	1782	1568	506	130	123	1000	185	180	208	820	990
QTPS-060S/C-485-D0-OP-MO	4034	1957	2077	569	163	122	1000	122	205	260	860	1700
QTPS-060S/C-485-D1-OP-MO	4034	1957	2077	569	163	122	1000	122	205	260	860	1700
QTPS-060S/C-485-D2-OP-MO	4037	1957	2080	569	163	122	1000	122	205	260	860	1720
QTPS-060S/C-485-D3-OP-MO	4036	1957	2079	569	163	122	1000	122	205	260	860	1720
QTPS-060S/C-535-D0-OP-MO	3985	1960	2025	569	163	122	1000	152	205	260	860	1750
QTPS-060S/C-535-D1-OP-MO	3985	1960	2025	569	163	122	1000	152	205	260	860	1750
QTPS-060S/C-535-D2-OP-MO	3988	1960	2028	569	163	122	1000	152	205	260	860	1760
QTPS-060S/C-535-D3-OP-MO	3988	1960	2028	569	163	122	1000	152	205	260	860	1780
QTPS-060S/C-565-D0-OP-MO	4022	1998	2024	569	163	122	1000	182	205	260	860	1900
QTPS-060S/C-565-D1-OP-MO	4022	1998	2024	569	163	122	1000	182	205	260	860	1900
QTPS-060S/C-565-D2-OP-MO	4022	1998	2024	569	163	122	1000	182	205	260	860	1950
QTPS-060S/C-565-D3-OP-MO	4027	1999	2028	569	163	122	1000	182	205	260	860	1950
QTPS-060S/C-585-D0-OP-MO	4030	1974	2056	569	163	122	1000	182	205	260	860	1990
QTPS-060S/C-585-D1-OP-MO	4032	1974	2058	569	163	122	1000	182	205	260	860	2000
QTPS-060S/C-585-D2-OP-MO	4067	1974	2093	569	163	122	1000	182	205	260	860	2000
QTPS-060S/C-585-D3-OP-MO	4080	1974	2106	569	163	122	1000	182	205	260	860	2005
QTPS-060S/C-635-D0-OP-MO	4054	2029	2025	569	163	122	1000	212	205	260	860	2100
QTPS-060S/C-635-D1-OP-MO	4054	2029	2025	569	163	122	1000	212	205	260	860	2100
QTPS-060S/C-635-D2-OP-MO	4057	2029	2028	569	163	122	1000	212	205	260	860	2100
QTPS-060S/C-635-D3-OP-MO	4057	2029	2028	569	163	122	1000	212	205	260	860	2100
QTPS-060S/C-685-D0-OP-MO	4110	2046	2064	569	163	122	1000	232	205	260	860	2150
QTPS-060S/C-685-D1-OP-MO	4112	2046	2066	569	163	122	1000	232	205	260	860	2150
QTPS-060S/C-685-D2-OP-MO	4115	2046	2069	569	163	122	1000	232	205	260	860	2180
QTPS-060S/C-685-D3-OP-MO	4120	2046	2074	569	163	122	1000	232	205	260	860	2205
QTPS-060S/C-735-D0-OP-MO	4180	2055	2125	569	163	122	1000	257	205	260	860	2330
QTPS-060S/C-735-D1-OP-MO	4185	2055	2130	569	163	122	1000	257	205	260	860	2355
QTPS-060S/C-735-D2-OP-MO	4190	2055	2135	569	163	122	1000	257	205	260	860	2390
QTPS-060S/C-735-D3-OP-MO	4192	2055	2137	569	163	122	1000	257	205	260	860	2430



# OVERALL DIMENSIONS

## QT SPRING TO OPEN WITH HYDRAULIC MANUAL OVERRIDE-MH



Model Size	A	B	C	D	E	F	G	H	I	L	M	Weight(Kg)
QTPS-010S/C-235-A1-OP-MH	1978	979	999	342	96	75	593	32	105	433	666	310
QTPS-010S/C-235-A2-OP-MH	1978	979	999	342	96	75	593	32	105	433	666	312
QTPS-010S/C-235-A3-OP-MH	1978	979	999	342	96	75	593	32	105	433	666	315
QTPS-010S/C-235-A4-OP-MH	1978	979	999	342	96	75	593	32	105	433	666	318
QTPS-010S/C-255-A1-OP-MH	1980	981	999	342	96	75	603	42	105	433	676	320
QTPS-010S/C-255-A2-OP-MH	1980	981	999	342	96	75	603	42	105	433	676	325
QTPS-010S/C-255-A3-OP-MH	1980	981	999	342	96	75	603	42	105	433	676	340
QTPS-010S/C-255-A4-OP-MH	1980	981	999	342	96	75	603	42	105	433	676	345
QTPS-010S/C-280-A1-OP-MH	1978	979	999	342	96	75	615	54	105	433	688	325
QTPS-010S/C-280-A2-OP-MH	1978	979	999	342	96	75	615	54	105	433	688	330
QTPS-010S/C-280-A3-OP-MH	1978	979	999	342	96	75	615	54	105	433	688	335
QTPS-010S/C-280-A4-OP-MH	1978	979	999	342	96	75	615	54	105	433	688	340
QTPS-010S/C-300-A1-OP-MH	1982	983	999	342	96	75	630	69	105	433	703	345
QTPS-010S/C-300-A2-OP-MH	1982	983	999	342	96	75	630	69	105	433	703	350
QTPS-010S/C-300-A3-OP-MH	1982	983	999	342	96	75	630	69	105	433	703	350
QTPS-010S/C-300-A4-OP-MH	1982	983	999	342	96	75	630	69	105	433	703	355
QTPS-010S/C-335-A1-OP-MH	2058	1009	1049	342	96	75	645	84	105	433	718	360
QTPS-010S/C-335-A2-OP-MH	2058	1009	1049	342	96	75	645	84	105	433	718	365
QTPS-010S/C-335-A3-OP-MH	2058	1009	1049	342	96	75	645	84	105	433	718	365
QTPS-010S/C-335-A4-OP-MH	2058	1009	1049	342	96	75	645	84	105	433	718	370

# OVERALL DIMENSIONS

## QT SPRING TO OPEN WITH HYDRAULIC MANUAL OVERRIDE-MH

Model Size	A	B	C	D	E	F	G	H	I	L	M	Weight(Kg)
QTPS-010S/C-360-A1-OP-MH	1985	986	999	342	96	75	695	134	105	433	768	410
QTPS-010S/C-360-A2-OP-MH	2018	1010	1008	342	96	75	695	134	105	433	768	415
QTPS-010S/C-360-A3-OP-MH	2018	1010	1008	342	96	75	695	134	105	433	768	410
QTPS-010S/C-360-A4-OP-MH	1985	986	999	342	96	75	695	134	105	433	768	410
QTPS-010S/C-385-A1-OP-MH	1985	986	999	342	96	75	695	134	105	433	768	395
QTPS-010S/C-385-A2-OP-MH	1985	986	999	342	96	75	695	134	105	433	768	400
QTPS-010S/C-385-A3-OP-MH	1985	986	999	342	96	75	695	134	105	433	768	400
QTPS-010S/C-385-A4-OP-MH	1985	986	999	342	96	75	695	134	105	433	768	405
QTPS-016S/C-280-B1-OP-MH	2283	1079	1204	413	111	96	636	39	135	424	709	420
QTPS-016S/C-280-B2-OP-MH	2283	1079	1204	413	111	96	636	39	135	424	709	422
QTPS-016S/C-280-B3-OP-MH	2283	1079	1204	413	111	96	636	39	135	424	709	425
QTPS016S/C-300-B1-OP-MH	2284	1080	1204	413	111	96	651	54	135	424	724	435
QTPS016S/C-300-B2-OP-MH	2284	1080	1204	413	111	96	651	54	135	424	724	438
QTPS016S/C-300-B3-OP-MH	2284	1080	1204	413	111	96	651	54	135	424	724	440
QTPS016S/C-335-B1-OP-MH	2284	1080	1204	413	111	96	666	69	135	424	739	450
QTPS016S/C-335-B2-OP-MH	2284	1080	1204	413	111	96	666	69	135	424	739	455
QTPS016S/C-335-B3-OP-MH	2284	1080	1204	413	111	96	666	69	135	424	739	460
QTPS016S/C-385-B1-OP-MH	2289	1085	1204	413	111	96	716	119	135	424	789	495
QTPS016S/C-385-B2-OP-MH	2289	1085	1204	413	111	96	716	119	135	424	789	520
QTPS016S/C-385-B3-OP-MH	2289	1085	1204	413	111	96	716	119	135	424	789	525
QTPS016S/C-435-B1-OP-MH	2291	1087	1204	413	111	96	741	144	135	424	814	530
QTPS016S/C-435-B2-OP-MH	2291	1087	1204	413	111	96	741	144	135	424	814	560
QTPS016S/C-435-B3-OP-MH	2291	1087	1204	431	111	105	741	144	135	424	814	640
QTPS016S/C-485-B1-OP-MH	2329	1126	1203	413	111	96	771	174	135	424	844	595
QTPS016S/C-485-B2-OP-MH	2329	1126	1203	413	111	96	771	174	135	424	844	625
QTPS016S/C-485-B3-OP-MH	2329	1126	1203	431	111	105	771	174	135	424	844	705
QTPS-030S/C-335-C0-OP-MH	3245	1637	1608	506	130	123	668	52	180	379	741	895
QTPS-030S/C-335-C1-OP-MH	3245	1637	1608	506	130	123	668	52	180	379	741	900
QTPS-030S/C-335-C2-OP-MH	3245	1637	1608	506	130	123	668	52	180	379	741	900
QTPS-030S/C-335-C3-OP-MH	3248	1640	1608	506	130	123	668	52	180	379	741	810
QTPS-030S/C-385-C0-OP-MH	3250	1642	1608	506	130	123	716	100	180	379	789	900
QTPS-030S/C-385-C1-OP-MH	3250	1642	1608	506	130	123	716	100	180	379	789	900
QTPS-030S/C-385-C2-OP-MH	3252	1644	1608	506	130	123	716	100	180	379	789	900
QTPS-030S/C-385-C3-OP-MH	3252	1644	1608	506	130	123	716	100	180	379	789	900
QTPS-030S/C-435-C0-OP-MH	3250	1642	1608	506	130	123	741	125	180	379	814	900
QTPS-030S/C-435-C1-OP-MH	3250	1642	1608	506	130	123	741	125	180	379	814	900
QTPS-030S/C-435-C2-OP-MH	3250	1642	1608	506	130	123	741	125	180	379	814	900
QTPS-030S/C-435-C3-OP-MH	3250	1642	1608	506	130	123	741	125	180	379	814	900
QTPS-030S/C-485-C0-OP-MH	3324	1716	1608	506	130	123	771	155	180	379	844	960
QTPS-030S/C-485-C1-OP-MH	3324	1716	1608	506	130	123	771	155	180	379	844	960
QTPS-030S/C-485-C2-OP-MH	3325	1717	1608	506	130	123	771	155	180	379	844	960
QTPS-030S/C-485-C3-OP-MH	3325	1717	1608	506	130	123	771	155	180	379	844	960
QTPS-030S/C-535-C0-OP-MH	3330	1722	1608	506	130	123	801	185	180	379	874	1015
QTPS-030S/C-535-C1-OP-MH	3330	1722	1608	506	130	123	801	185	180	379	874	1015
QTPS-030S/C-535-C2-OP-MH	3330	1722	1608	506	130	123	801	185	180	379	874	1020
QTPS-030S/C-535-C3-OP-MH	3330	1762	1568	506	130	123	801	185	180	379	874	1035
QTPS-060S/C-485-D0-OP-MH	3990	1913	2077	569	163	122	797	122	205	380	870	1700
QTPS-060S/C-485-D1-OP-MH	3990	1913	2077	569	163	122	797	122	205	380	870	1700
QTPS-060S/C-485-D2-OP-MH	3992	1912	2080	569	163	122	797	122	205	380	870	1720
QTPS-060S/C-485-D3-OP-MH	3994	1915	2079	569	163	122	797	122	205	380	870	1720

# OVERALL DIMENSIONS

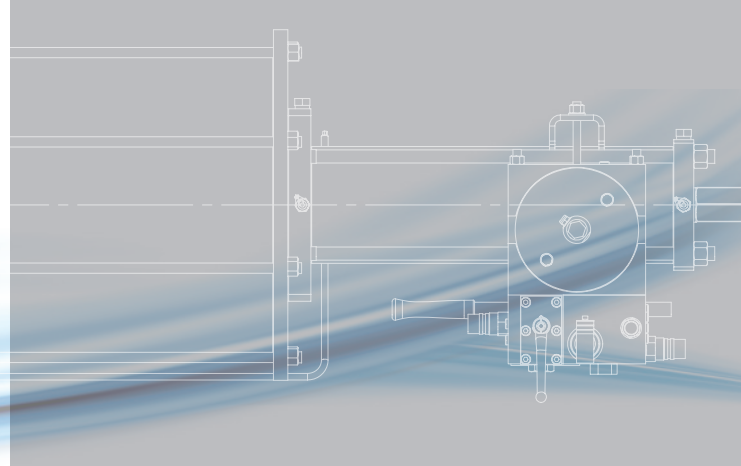
## QT SPRING TO OPEN WITH HYDRAULIC MANUAL OVERRIDE-MH

Model Size	A	B	C	D	E	F	G	H	I	L	M	Weight(Kg)
QTPS-060S/C-535-D0-OP-MH	3988	1963	2025	569	163	122	827	152	205	380	900	1750
QTPS-060S/C-535-D1-OP-MH	3988	1963	2025	569	163	122	827	152	205	380	900	1750
QTPS-060S/C-535-D2-OP-MH	3988	1960	2028	569	163	122	827	152	205	380	900	1760
QTPS-060S/C-535-D3-OP-MH	3990	1962	2028	569	163	122	827	152	205	380	900	1780
QTPS-060S/C-565-D0-OP-MH	4020	1996	2024	569	163	122	857	182	205	380	930	1900
QTPS-060S/C-565-D1-OP-MH	4020	1996	2024	569	163	122	857	182	205	380	930	1900
QTPS-060S/C-565-D2-OP-MH	4020	1996	2024	569	163	122	857	182	205	380	930	1950
QTPS-060S/C-565-D3-OP-MH	4025	1997	2028	569	163	122	857	182	205	380	930	1950
QTPS-060S/C-585-D0-OP-MH	4030	1974	2056	569	163	122	857	182	205	380	930	1990
QTPS-060S/C-585-D1-OP-MH	4032	1974	2058	569	163	122	857	182	205	380	930	2000
QTPS-060S/C-585-D2-OP-MH	4067	1974	2093	569	163	122	857	182	205	380	930	2000
QTPS-060S/C-585-D3-OP-MH	4080	1974	2106	569	163	122	857	182	205	380	930	2005
QTPS-060S/C-635-D0-OP-MH	4054	2029	2025	569	163	122	887	212	205	380	960	2100
QTPS-060S/C-635-D1-OP-MH	4054	2029	2025	569	163	122	887	212	205	380	960	2100
QTPS-060S/C-635-D2-OP-MH	4055	2027	2028	569	163	122	887	212	205	380	960	2100
QTPS-060S/C-635-D3-OP-MH	4058	2030	2028	569	163	122	887	212	205	380	960	2100
QTPS-060S/C-685-D0-OP-MH	4110	2046	2064	569	163	122	907	232	205	380	980	2150
QTPS-060S/C-685-D1-OP-MH	4112	2046	2066	569	163	122	907	232	205	380	980	2150
QTPS-060S/C-685-D2-OP-MH	4115	2046	2069	569	163	122	907	232	205	380	980	2180
QTPS-060S/C-685-D3-OP-MH	4120	2046	2074	569	163	122	907	232	205	380	980	2205
QTPS-060S/C-735-D0-OP-MH	4180	2055	2125	569	163	122	932	257	205	380	1005	2330
QTPS-060S/C-735-D1-OP-MH	4182	2052	2130	569	163	122	932	257	205	380	1005	2355
QTPS-060S/C-735-D2-OP-MH	4185	2050	2135	569	163	122	932	257	205	380	1005	2390
QTPS-060S/C-735-D3-OP-MH	4190	2053	2137	569	163	122	932	257	205	380	1005	2430
QTPS-120S/C-585-E1-OP-MH	4470	2176	2294	654	204	123	921	141	230	419	994	2545
QTPS-120S/C-585-E2-OP-MH	4472	2176	2296	654	204	123	921	141	230	419	994	2545
QTPS-120S/C-585-E3-OP-MH	4478	2176	2302	654	204	123	921	141	230	419	994	2555
QTPS-120S/C-585-E4-OP-MH	4480	2176	2304	654	204	123	921	141	230	419	994	2565
QTPS-120S/C-635-E1-OP-MH	4547	2177	2370	654	204	123	951	171	230	419	1024	2605
QTPS-120S/C-635-E2-OP-MH	4547	2177	2370	654	204	123	951	171	230	419	1024	2665
QTPS-120S/C-635-E3-OP-MH	4547	2177	2370	654	204	123	951	171	230	419	1024	2715
QTPS-120S/C-635-E4-OP-MH	4547	2177	2370	654	204	123	951	171	230	419	1024	2785
QTPS-120S/C-685-E1-OP-MH	4550	2180	2370	654	204	123	971	191	230	419	1044	2715
QTPS-120S/C-685-E2-OP-MH	4550	2180	2370	654	204	123	971	191	230	419	1044	2715
QTPS-120S/C-685-E3-OP-MH	4550	2180	2370	654	204	123	971	191	230	419	1044	2865
QTPS-120S/C-685-E4-OP-MH	4550	2180	2370	654	204	123	971	191	230	419	1044	2865
QTPS-120S/C-735-E1-OP-MH	4563	2193	2370	654	204	123	996	216	230	419	1069	2865
QTPS-120S/C-735-E2-OP-MH	4563	2193	2370	654	204	123	996	216	230	419	1069	2915
QTPS-120S/C-735-E3-OP-MH	4570	2200	2370	654	204	123	996	216	230	419	1069	2965
QTPS-120S/C-735-E4-OP-MH	4570	2200	2370	654	204	123	996	216	230	419	1069	3045
QTPS-120S/C-785-E1-OP-MH	4572	2190	2382	654	204	123	1011	231	230	419	1084	3185
QTPS-120S/C-785-E2-OP-MH	4572	2190	2382	654	204	123	1011	231	230	419	1084	3215
QTPS-120S/C-785-E3-OP-MH	4578	2194	2384	654	204	123	1011	231	230	419	1084	3245
QTPS-120S/C-785-E4-OP-MH	4580	2196	2384	654	204	123	1011	231	230	419	1084	3260
QTPS-120S/C-835-E1-OP-MH	4585	2215	2370	654	204	123	1026	246	230	419	1099	3375
QTPS-120S/C-835-E2-OP-MH	4585	2215	2370	654	204	123	1026	246	230	419	1099	3377
QTPS-120S/C-835-E3-OP-MH	4590	2220	2370	654	204	123	1026	246	230	419	1099	3380
QTPS-120S/C-835-E4-OP-MH	4592	2222	2370	654	204	123	1026	246	230	419	1099	3382
QTPS-120S/C-885-E1-OP-MH	4640	2216	2424	654	204	123	1041	261	230	419	1114	3575
QTPS-120S/C-885-E2-OP-MH	4640	2211	2429	654	204	123	1041	261	230	419	1114	3577

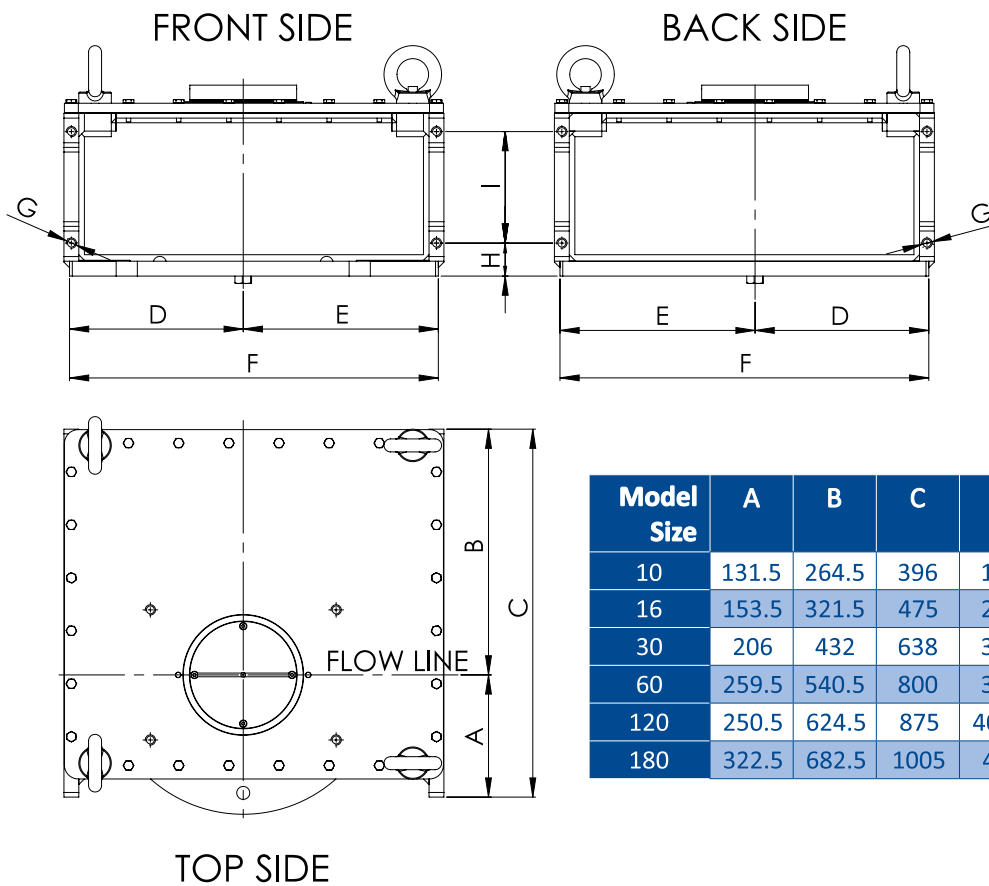
# OVERALL DIMENSIONS

## QT SPRING TO OPEN WITH HYDRAULIC MANUAL OVERRIDE-MH

Model Size	A	B	C	D	E	F	G	H	I	L	M	Weight(Kg)
QTPS-120S/C-885-E3-OP-MH	4650	2218	2432	654	204	123	1041	261	230	419	1114	3581
QTPS-120S/C-885-E4-OP-MH	4650	2214	2436	654	204	123	1041	261	230	419	1114	3583
QTPS-120S/C-935-E1-OP-MH	4680	2224	2456	654	204	123	1076	296	230	419	1149	3745
QTPS-120S/C-935-E2-OP-MH	4680	2219	2461	654	204	123	1076	296	230	419	1149	3750
QTPS-120S/C-935-E3-OP-MH	4690	2225	2465	654	204	123	1076	296	230	419	1149	3755
QTPS-120S/C-935-E4-OP-MH	4695	2225	2470	654	204	123	1076	296	230	419	1149	3760
QTPS-180S/C-685-F1-OP-MH	4978	2357	2621	745	217	156	995	178	255	418	1068	4000
QTPS-180S/C-685-F2-OP-MH	4980	2357	2623	745	217	156	995	178	255	418	1068	4010
QTPS-180S/C-685-F3-OP-MH	4985	2357	2628	745	217	156	995	178	255	418	1068	4015
QTPS-180S/C-685-F4-OP-MH	4987	2357	2630	745	217	156	995	178	255	418	1068	4030
QTPS-180S/C-735-F1-OP-MH	5000	2367	2633	745	217	156	1020	203	255	418	1093	4080
QTPS-180S/C-735-F2-OP-MH	5003	2367	2636	745	217	156	1020	203	255	418	1093	4100
QTPS-180S/C-735-F3-OP-MH	5005	2367	2638	745	217	156	1020	203	255	418	1093	4110
QTPS-180S/C-735-F4-OP-MH	5010	2367	2643	745	217	156	1020	203	255	418	1093	4115
QTPS-180S/C-785-F1-OP-MH	5026	2377	2649	745	217	156	1035	218	255	418	1108	4180
QTPS-180S/C-785-F2-OP-MH	5029	2377	2652	745	217	156	1035	218	255	418	1108	4200
QTPS-180S/C-785-F3-OP-MH	5029	2377	2652	745	217	156	1035	218	255	418	1108	4205
QTPS-180S/C-785-F4-OP-MH	5032	2377	2655	745	217	156	1035	218	255	418	1108	4230
QTPS-180S/C-835-F1-OP-MH	5048	2383	2665	745	217	156	1050	233	255	418	1123	4340
QTPS-180S/C-835-F2-OP-MH	5050	2383	2667	745	217	156	1050	233	255	418	1123	4350
QTPS-180S/C-835-F3-OP-MH	5054	2383	2671	745	217	156	1050	233	255	418	1123	4360
QTPS-180S/C-835-F4-OP-MH	5056	2383	2673	745	217	156	1050	233	255	418	1123	4375
QTPS-180S/C-885-F1-OP-MH	5068	2387	2681	745	217	156	1065	248	255	418	1138	4385
QTPS-180S/C-885-F2-OP-MH	5070	2387	2683	745	217	156	1065	248	255	418	1138	4390
QTPS-180S/C-885-F3-OP-MH	5075	2387	2688	745	217	156	1065	248	255	418	1138	4395
QTPS-180S/C-885-F4-OP-MH	5080	2387	2693	745	217	156	1065	248	255	418	1138	4400
QTPS-180S/C-935-F1-OP-MH	5106	2387	2719	745	217	156	1133	316	255	418	1206	4482
QTPS-180S/C-935-F2-OP-MH	5108	2387	2721	745	217	156	1133	316	255	418	1206	4490
QTPS-180S/C-935-F3-OP-MH	5108	2387	2721	745	217	156	1133	316	255	418	1206	4495
QTPS-180S/C-935-F4-OP-MH	5110	2387	2723	745	217	156	1133	316	255	418	1206	4510
QTPS-180S/C-1000-F1-OP-MH	5120	2397	2723	745	217	156	1160	343	255	418	1233	4585
QTPS-180S/C-1000-F2-OP-MH	5122	2397	2725	745	217	156	1160	343	255	418	1233	4600
QTPS-180S/C-1000-F3-OP-MH	5128	2397	2731	745	217	156	1160	343	255	418	1233	4615
QTPS-180S/C-1000-F4-OP-MH	5132	2397	2735	745	217	156	1160	343	255	418	1233	4620
QTPS-180S/C-1050-F1-OP-MH	5150	2402	2748	745	217	156	1190	373	255	418	1263	4680
QTPS-180S/C-1050-F2-OP-MH	5154	2402	2752	745	217	156	1190	373	255	418	1263	4730
QTPS-180S/C-1050-F3-OP-MH	5159	2402	2757	745	217	156	1190	373	255	418	1263	4760
QTPS-180S/C-1050-F4-OP-MH	5165	2402	2763	745	217	156	1190	373	255	418	1263	4790

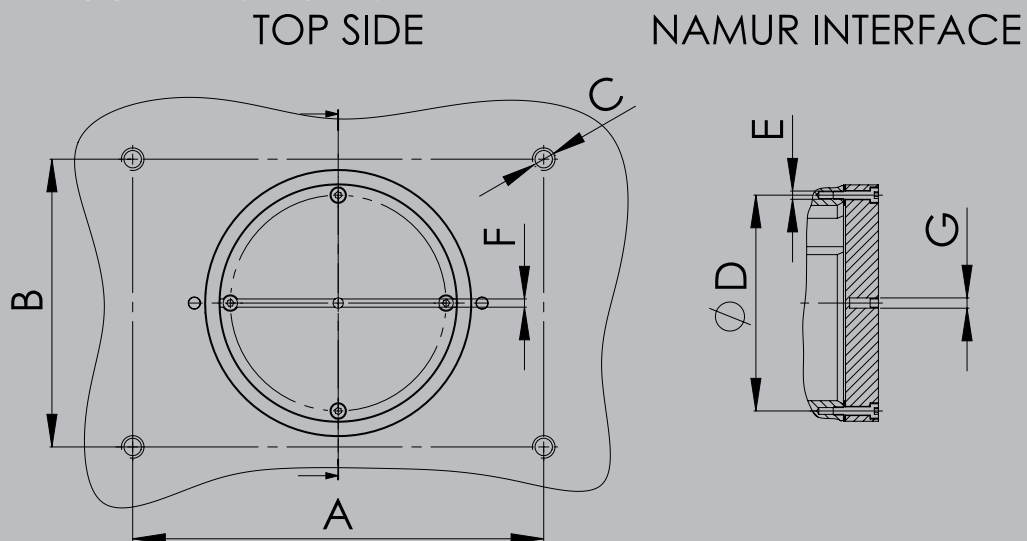


# HOUSING MOUNTING HOLES AND INTERFACE



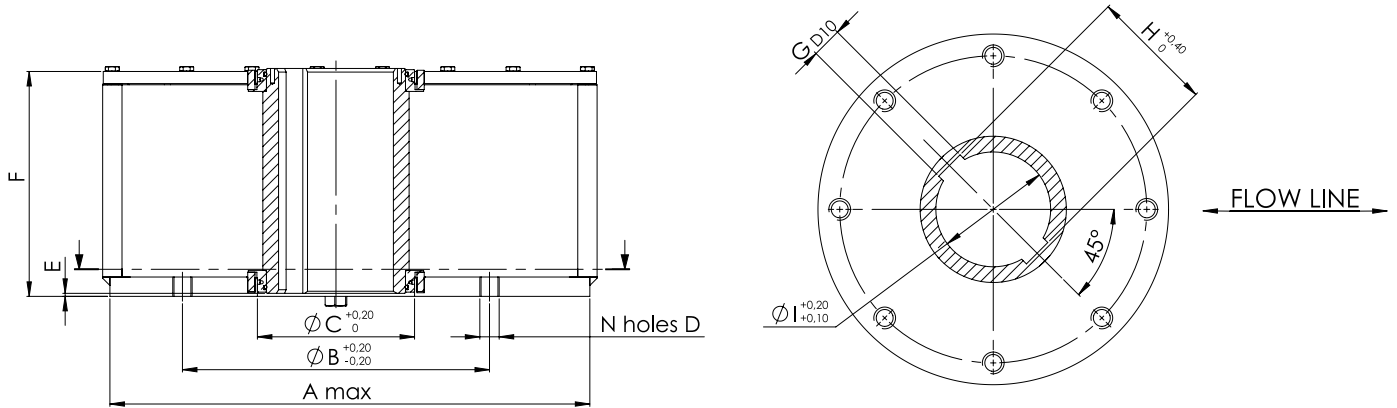
Model Size	A	B	C	D	E	F	G	H	I
10	131.5	264.5	396	185	208	393	N.4 M10	36	120
16	153.5	321.5	475	221	249	470	N.4 M10	36	150
30	206	432	638	310	350	660	N.4 M16	44.5	170
60	259.5	540.5	800	358	418	776	N.4 M20	62.5	205
120	250.5	624.5	875	406.5	476.5	883	N.4 M24	62	290
180	322.5	682.5	1005	446	523	969	N.4 M24	74	290

## COVER AND YOKE MOUNTING HOLES



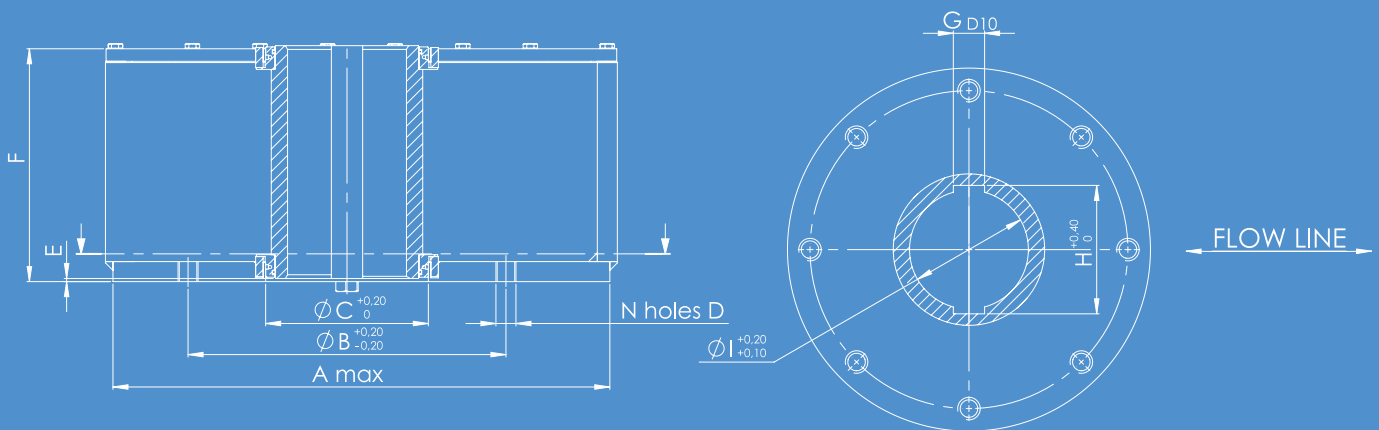
Model Size	A	B	C	D	E	F	G
10	200	140	N.4 M10	105	N.4 M4	4	M6
16	230	170	N.4 M10	132.5	N.4 M5	4	M6
30	240	180	N.4 M10	174	N.4 M6	4	M6
60	300	270	N.4 M12	216	N.4 M6	4	M6
120	300	270	N.4 M12	240	N.4 M6	4	M6
180	310	290	N.4 M12	240	N.4 M6	4	M6

# COUPLING DIMENSIONS FOR MODELS 10-60



Model Size	A	B	C	D	E	F	G	H	I
10	300	254	130	N.8 M16	3	186	25	102.6	95
16	350	298	165	N.8 M20	3	215	32	128.8	120
30	415	356	210	N.8 M30	3	252	32	174.8	160
60	520	406	260	N.8 M36	3	312	32	209.8	195

# COUPLING DIMENSIONS FOR MODELS 120-180



Model Size	A	B	C	D	E	F	G	H	I
120	560	483	250	N.12 M36	5	394	45	195.8	175
180	680	603	285	N.20 M36	5	418	45	220.8	200

# DVG AUTOMATION S.p.A.

Permanent Headquarters:

Via G. Rossetti, 2 - 29016 Cortemaggiore (PC) - Italy

REA Nr 167410 VAT Nr 01494460338

[www.dvgautomation.it](http://www.dvgautomation.it) [info@dvgautomation.it](mailto:info@dvgautomation.it)

Tel. (+39) 0523 255811 Fax (+39) 0523 255890

QTP102010

